

Digital Measuring Instruments MINIPAN®

MINIPAN® 300	132
Panel-mount 36 x 72 mm, 4 digits	
MINIPAN® 350V and 352V	134
Switch gear-cabinet-mount, 4 digits	
MINIPAN® 352V	136
Switch gear-cabinet-mount, 4 digits with alarms / relays	
MINIPAN® 352P	138
Panel-mount 72 x 72 mm, 4 digits with alarms / relays	
MINIPAN® SE352	140
Panel-mount 48 x 96 mm, 4 digits with alarms / relays	

Measuring Point Change-over-switches see products group 5

Universal-Digital Panelmeter MINIPAN 300

in Housing for Panel-Mount 36 x 72 mm

MINIPAN 300



Part numbers:

D440300	MINIPAN 300 DC
D440320	MINIPAN 300 AC
D440340	MINIPAN 300 Pt100

With its 4 digit, 14 mm high display, Digital Panelmeters of MINIPAN 300-series allow the accurate display of different values in the range -1999 ... +9999. Only 3 designs cover the measuring of DC voltage and current, AC voltage and current and temperature with Pt 100-sensors (RTD).

The display can be easily programmed by the customer (e.g. input 0-10 V --> display 0-350.0 ms or AC 0-1 A ---> 0-400.0 A

With the built-in universal power-supply AC/DC 24-240 V it is especial versatile.

Inputs DC-Meter:

- Measuring of current with external shunt max. 300 mV
- 1 A for direct measuring of current
- 0/4-20 mA for standard-signals
- 0-10 V for standard-signals
- 100/500 V switchable

Inputs AC-Meter:

- 500 V
- 50 V
- 10 V
- Measuring of current with external shunt max.150 mV
- 1 A for direct measuring of current or with external transformers

Measuring of Temperature Pt100 (RTD):

- Pt100 in 2- or 3-wire connection
- Measuring Range -199,9 ... +850,0 °C
- Resolution 0,1 °C
- Display in °C or °F

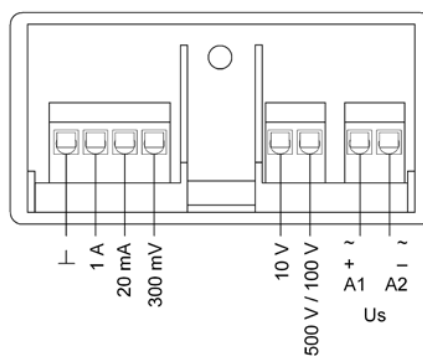
Easy programming with 3 buttons

- Display (skaling, decimal-point)
- Display of MIN- and MAX-values
- Delay at unstable signals
- Code-lock against manipulation of settings

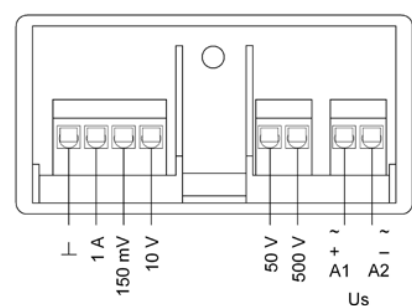
Additional Features:

- Sticker with different measuring units included
- Terminals pluggable
- Face-Plate 36 x 72 mm

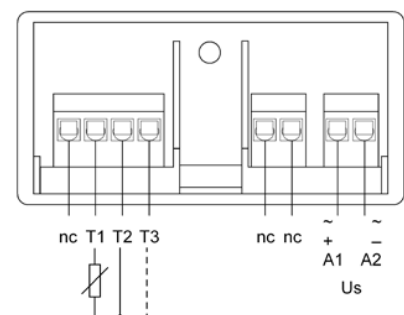
DC



AC



Pt 100



Technical Data MINIPAN 300

Power supply	rated supply-voltage Us	AC/DC 24-240 V
	tolerance DC	DC 20 - 297 V (0,85 x 24 V...1,35 x 220 V)
	tolerance AC	AC 20 - 264 V (0,85 x 24 V...1,1 x 240 V)
	power consumption	< 3 VA
	frequency	48...62 Hz
Measuring inputs	(always connect 1 input only)	potentially separated from supply-voltage
	DC-Meter	± 300 mV / 120 kΩ / max. ±2,5 V
	measuring-range / resistance of input / overload capacity	± 10.00 V / 1 MΩ / max. ±50 V + 500.0 V / -199.9 V / 3 MΩ / max. ±600 V + 100.0 V / -100.0 V / 3 MΩ / max. ±600 V + 20.00 mA / -19.99 mA/ Shunt 15 Ω/ max. ±100 mA ± 1.00 A / Shunt 150 mΩ / max. ±2 A
	AC-Meter	150 mV / 900 Ω / max. 2,5 V
	measuring-range / resistance of input / overload capacity	10.00 V / 100 kΩ / max. 50 V 50.0 V / 1 MΩ / max. 60 V 500.0 V / 3 MΩ / max. 600 V 1.00 A / Shunt 150 mΩ / max. 2 A
	Temperature Pt 100 (RTD) sensor-input	- 199,9 ... + 850,0 °C (= -328 ... +1563 °F) Pt 100, 2- or 3-wire connection max. 3 x 50 Ω
	resistance 3-wire	<400 ms
	measuring time AC/DC	<400 ms
	measuring time Pt 100	
	Accuracy	resolution
error (of full measuring range)		
DC-voltage, DC-current		± 0,1 % ± 1 Digit
AC-voltage, AC current		± 0,5 % ± 1 Digit
temperature factor		± 0,02 % / K
total error at temperature-measuring		± 0,3 % of value ± 0,5 K
temperature factor		± 0,03 °C / K
Housing	Design 300	panel-mount housing
	dimensions (h x w x d) mm	36 x 72 x 79 mm
	Attachment	panel-mount, panel cutout 33 ^{+0,6} x 68 ^{+0,6} mm max. thickness of panel 8 mm
	Single wire	1 x 0,5...1,5 mm ²
	Fine wired with end sleeves	1 x 0,14...1 mm ²
	Rated ambient temperature range	-20...+60 °C
	protection housing/terminals	IP 30/IP 20
	weight	ca. 120 g

Universal-Display MINIPAN 350V

in Housing for DIN-Rail-Mount

MINIPAN 350V



Part numbers:

D890110	MINIPAN 350 DC
D890210	MINIPAN 350 AC
D890310	MINIPAN 350 Pt100

With its 4 digit, 7 mm high display, Digital measuring-instruments of MINIPAN 350V- series allow the accurate display of different values in the range -1999 ... +9999.

Only 3 designs cover the measuring of DC voltage and current, AC voltage and current and temperature with Pt 100-sensors (RTD).

The display can be easily programmed by the customer (e.g. input 0-10 V --> display 0-350.0 ms or AC 0-1 A ---> 0-400.0 A).

With the built-in universal power-supply AC/DC 24-240 V it is especial versatile.

Inputs DC-Meter:

- Measuring of current with external shunt max. 300 mV
- 1 A for direct measuring of current
- 0/4-20 mA for standard-signals
- 0-10 V for standard-signals
- 100/500 V switchable

Inputs AC-Meter:

- 500 V
- 50 V
- 10 V
- Measuring of current with external shunt max.150 mV
- 1 A for direct measuring of current or with external transformers

Measuring of Temperature Pt 100 (RTD):

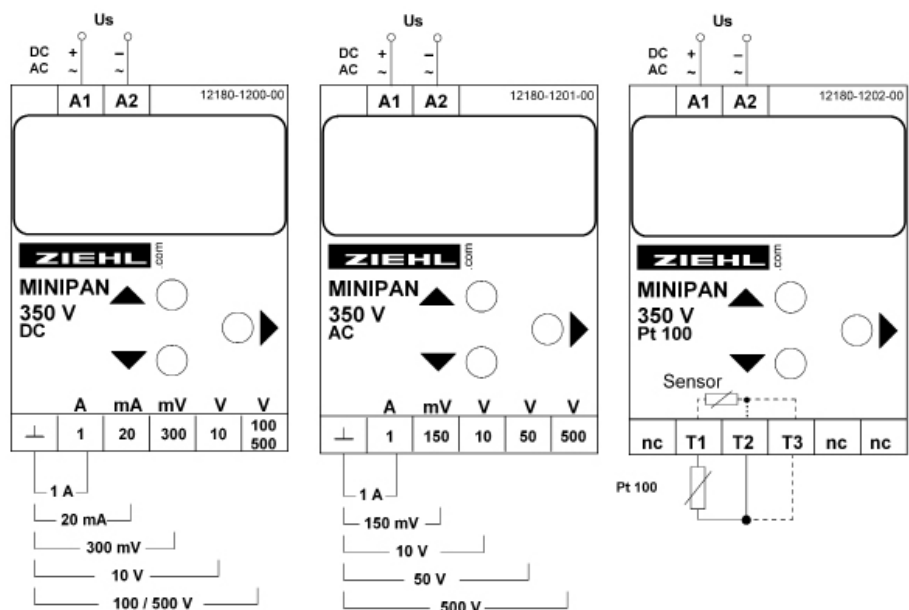
- Pt100 in 2- or 3-wire connection
- Measuring Range -199,9 ... +850,0 °C
- Resolution 0,1 °C
- Display in °C or °F

Easy programming with 3 buttons

- Display (skaling, decimal-point)
- Display of MIN- and MAX-values
- Delay at unstable signals
- Code-lock against manipulation of settings

Additional Features:

- Sticker with different measuring units included
- Terminals pluggable
- Mounting-height 55 mm, 70 mm wide



Technical Data MINIPAN 350V

Power supply	rated supply-voltage Us	AC/DC 24-240 V	
	tolerance DC	DC 20 - 297 V (0,85 x 24 V...1,35 x 220 V)	
	tolerance AC	AC 20 - 264 V (0,85 x 24 V...1,1 x 240 V)	
	power consumption	< 3 VA	
	frequency	48...62 Hz	
Measuring inputs	(always connect 1 input only)	potentially separated from supply-voltage	
	DC-Meter	± 300 mV / 120 kΩ / max. ±2,5 V	
	measuring-range / resistance of input / overload capacity	± 10.00 V / 1 MΩ / max. ±50 V + 500.0 V / -199.9 V / 3 MΩ / max. ±600 V + 100.0 V / -100.0 V / 3 MΩ / max. ±600 V + 20.00 mA / -19.99 mA/ Shunt 15 Ω/ max. ±100 mA ± 1.00 A / Shunt 150 mΩ / max. ±2 A	
	AC-Meter	150 mV / 900 Ω / max. 2,5 V	
	measuring-range / resistance of input / overload capacity	10.00 V / 100 kΩ / max. 50 V 50.0 V / 1 MΩ / max. 60 V 500.0 V / 3 MΩ / max. 600 V 1.00 A / Shunt 150 mΩ / max. 2 A	
	Temperature Pt 100 (RTD) sensor-input resistance 3-wire	- 199,9 ... + 850,0 °C (= -328 ... +1563 °F) Pt 100, 2- or 3-wire connection max. 3 x 50 Ω	
	measuring time AC/DC	<400 ms	
	measuring time Pt 100	<400 ms	
	Accuracy	resolution	+9999 / -1999
		error (of full measuring range)	
DC-voltage, DC-current		± 0,1 % ± 1 Digit	
AC-voltage, AC current		± 0,5 % ± 1 Digit	
temperature factor		± 0,02 % / Kelvin	
total error at temperature-measuring		± 0,3 % of value ± 0,5 K	
temperature factor		± 0,03 °C / K	
Housing	housing	design V2	
	dimensions (h x w x d) mm	90 x 35 x 58 mm, mounting height 55 mm	
	terminals	8-pole	
	Attachment	on 35 mm DIN-rail or with screws M4	
	ambient temperature range	-20...+60 °C	
	protection housing/ protection terminals	IP 30 IP 20	
weight	app. 100 g		

Universal-Instrument MINIPAN 352V

for DIN-rail-mounting

MINIPAN 352V



Part numbers:

D340101

D340110 with analog output

With its 4 digit, 14 mm high display, Digital Panelmeters of MINIPAN 352V- series allow the accurate display of different values in the range -1999 ... +9999.

Measuring inputs AC (True RMS), DC current and voltage and measuring of resistance and of temperatures with various sensors are combined in one instrument.

Two programmable switching points allow applications as limit-switch or 2- or 3-point controller.

With **EasyLimit** the switching points can be set easily. Other parameters are blocked and thus protected from unintended manipulation.

With its analog output (option) it is in addition a measuring-transducer.

The display can be easily programmed by the user (e.g. input DC 4-20 mA / display 0-350.0 m/s or 0...200 Ω / 0...3000 mm or AC 0-5 A / 0-400.0 A).

In addition the built-in universal power-supply AC/DC 24-240 V makes it even more versatile.

• Temperature:

- Pt 100 (RTD) , Pt 1000, KTY 83 and KTY 84 in 2- or 3-wire connection
- Thermocouples type B, E, J, K, L, N, R, S, T
- Measuring range -170 ... +1820 °C
- Resolution 0.1 °C (up to 999.9 C)
- Display in °C or °F

• AC/DC-measuring inputs:

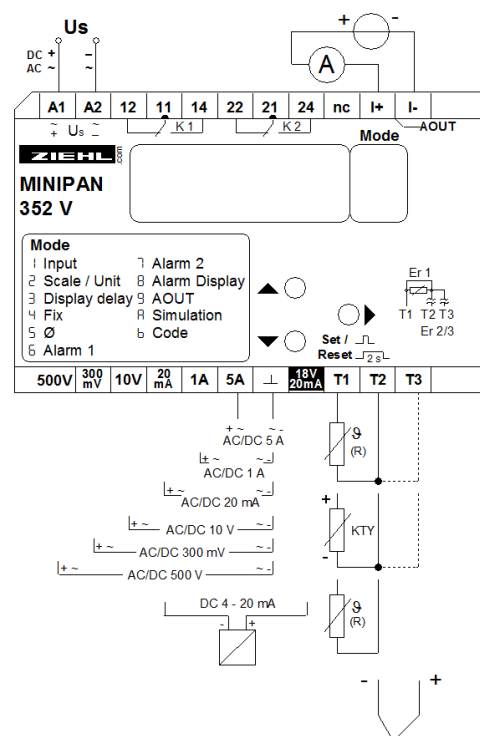
- 300 mV for measuring current with external shunt
- 1 and 5 A for direct measuring of current (or AC with external transformer)
- 500 V
- 10 V for standard signals
- 20 mA for standard signals
- AC-measuring TrueRMS

• Measuring of resistance:

- Range 0...500 Ω
- Range 0...30 kΩ

• Easy programming with 3 buttons and supporting display:

- Display (zero, fullscale, decimal point)
- 2 switching points with hysteresis and delays
- **EasyLimit** for easy setting of alarms
- Switching with automatic reset or interlocked
- MIN/MAX-contacts or operating-/closed current mode of relays
- Storage of MIN- and MAX-values
- Average of multiple measurements
- Simulation of operation
- Code-lock against manipulation of settings
- Outputs 2 potential-free change-over contacts (co)
- Supply-voltage for external measuring transducer 4-20 mA
- Sticker with different measuring units included
- Terminals pluggable
- Mounting dimensions 72x72 mm
- Supply-voltage AC/DC 24-240 V
- Option: analog output 4...20 mA (insulated when externally supplied)



Technical Data MINIPAN 352V

Power supply	Rated supply-voltage U_s	AC/DC 24-240 V
	Tolerance DC	DC 20 - 297 V (0,85 x 24 V...1,35 x 220 V)
	Tolerance AC	AC 20 - 264 V (0,85 x 24 V...1,1 x 240 V)
	Power consumption	< 5 VA
	Frequency	48...62 Hz
Measuring inputs		potentially separated from supply-voltage (always connect 1 input only at the same time)
	DC-measuring	± 300 mV / 29 kΩ / max. ±2,5 V
	Measuring-range / input-	± 10.00 V / 1 MΩ / max. ±50 V
	Resistance / overload capacity	± 500.0 V / 3 MΩ / max. ±600 V ± 20.00 mA / Shunt 8 Ω / max. ±100 mA ± 1.00 A / Shunt 150 mΩ / max. ±2 A ± 5.00 A / Shunt 30 mΩ / max. ±7,5 A for 10 s
	AC-measuring	300 mV / 20 kΩ / max. 2,5 V
	Measuring-range / input-	10.00 V / 1 MΩ / max. 50 V
	Resistance / overload capacity	500.0 V / 3 MΩ / max. 600 V 20.00 mA / Shunt 8 Ω / max. 100 mA 1.00 A / Shunt 150 mΩ / max. 2 A 5.00 A / Shunt 30 mΩ / max. 7,5 A for 10 s
	Messuring of resistance	0...500 Ω 0... 30 kΩ
	Temperature-measuring	- 199,9 ... + 850,0 °C (= -328 ... +1563 °F)
	Sensor-input	Pt 100, Pt 1000, KTY 83, KTY 84, 2- or 3-wire connection, line-resistance max. 3x 50 Ω
Thermocouples	B, E, J, K, L, N, R, S, T	
	Measuring time DC	< 300 ms x Ø
	Measuring time AC	< 700 ms + 300 ms x Ø
	Measuring time temperature + Resistance	< 600 ms (3-wire + thermocouple) < 300 ms (2-wire)
Output	Relay output	Typ 2, see "general technical informations" 2x1 change-over) contact
	Analog output	4-20 mA (insulated when externally supplied)
	Supply-voltage for loop-powered measuring transducer and analog output	DC 15-20 V / max. 45 mA
Accuracy		-1999 / +9999
	Resolution	± 0,1 % ± 1 Digit ± 0,02 % K
	Error DC (of FullScale)	± 0,5 % ± 1 Digit ± 0,05 % K
	Error AC (of FullScale)	500 Ω: 0,2 % ± 0,5 Ω
	Error resistance (of value)	30 kΩ: 0,5 % ± 2 Ω
	Error Pt 100 (of value)	± 0,2 % ± 0,5 K ± 0,04 °C/K
Housing		V4
	Housing	90 x 70 x 58 mm
	Dimensions (h x w x d) mm	on 35 mm DIN rail according to EN 60 715 or with 2 screws M4 (option)
	Attachment	
	Ambient temperature range	-20...+60 °C
	Protection housing	IP 30
	Protection terminals	IP 20
	Weight	approx. 190 g

Universal-Instrument MINIPAN 352P

in Housing for Panel-Mount 72 x 72 mm

MINIPAN 352P



Part numbers:

D440200

D440210 with analog output

With its 4 digit, 14 mm high display, Digital Panelmeters of MINIPAN 352P- series allow the accurate display of different values in the range -1999 ... +9999.

Measuring inputs AC (True RMS), DC current and voltage and measuring of resistance and of temperatures with various sensors are combined in one instrument.

Two programmable switching points allow applications as limit-switch or 2- or 3-point controller.

With **EasyLimit** the switching points can be set easily. Other parameters are blocked and thus protected from unintended manipulation.

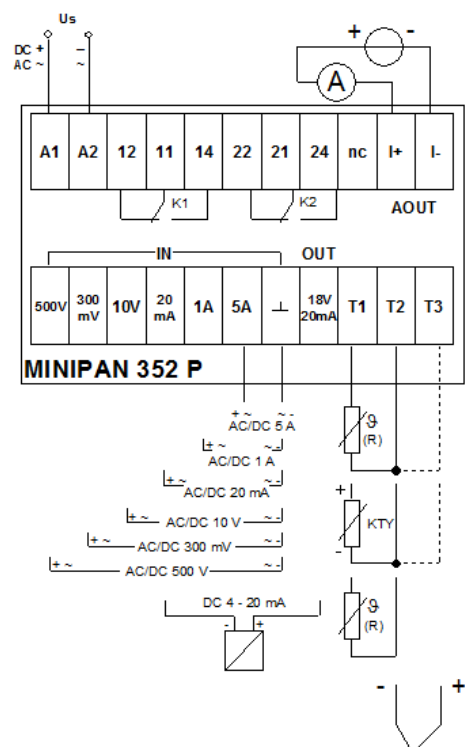
With its analog output (option) it is in addition a measuring-transducer.

The display can be easily programmed by the user (e.g. input DC 4-20 mA / display 0-350.0 m/s or 0...200 Ω / 0...3000 mm or AC 0-5 A / 0-400.0 A).

In addition the built-in universal power-supply AC/DC 24-240 V makes it even more versatile.

- **Temperature:**
 - Pt 100 (RTD) , Pt 1000, KTY 83 and KTY 84 in 2- or 3-wire connection
 - Thermocouples type B, E, J, K, L, N, R, S, T
 - Measuring range -170 ... +1820 °C
 - Resolution 0.1 °C (up to 999.9 C)
 - Display in °C or °F
- **AC/DC-measuring inputs:**
 - 300 mV for measuring current with external shunt
 - 1 and 5 A for direct measuring of current (or AC with external transformer)
 - 500 V
 - 10 V for standard signals
 - 20 mA for standard signals
 - AC-measuring TrueRMS

- **Measuring of resistance:**
 - Range 0...500 Ω
 - Range 0...30 k Ω
- Easy programming with 3 buttons and supporting display:
 - Display (zero, fullscale, decimal point)
 - 2 switching points with hysteresis and delays
 - **EasyLimit** for easy setting of alarms
 - Switching with automatic reset or interlocked
 - MIN/MAX-contacts or operating-/closed current mode of relays
 - Storage of MIN- and MAX-values
 - Average of multiple measurements
 - Simulation of operation
 - Code-lock against manipulation of settings
- Outputs 2 potential-free change-over contacts (co)
- Supply-voltage for external measuring transducer 4-20 mA
- Sticker with different measuring units included
- Terminals pluggable
- Mounting dimensions 72x72 mm
- Supply-voltage AC/DC 24-240 V
- **Option:** analog output 4...20 mA (insulated when externally supplied)



Technical Data MINIPAN 352P

Power supply	Rated supply-voltage U_s	AC/DC 24-240 V
	Tolerance DC	DC 20 - 297 V (0,85 x 24 V...1,35 x 220 V)
	Tolerance AC	AC 20 - 264 V (0,85 x 24 V...1,1 x 240 V)
	Power consumption	< 3 W, < 10 VA
	Frequency	48...62 Hz
Measuring inputs		potentially separated from supply-voltage (always connect 1 input only at the same time)
	DC-measuring Measuring-range / input- Resistance / overload capacity	± 300 mV / 29 kΩ / max. ±2,5 V ± 10.00 V / 1 MΩ / max. ±50 V ± 500.0 V / 3 MΩ / max. ±600 V ± 20.00 mA / Shunt 8 Ω / max. ±100 mA ± 1.00 A / Shunt 150 mΩ / max. ±2 A ± 5.00 A / Shunt 30 mΩ / max. ±7,5 A for 10 s
	AC-measuring Measuring-range / input- Resistance / overload capacity	300 mV / 20 kΩ / max. 2,5 V 10.00 V / 1 MΩ / max. 50 V 500.0 V / 3 MΩ / max. 600 V 20.00 mA / Shunt 8 Ω / max. 100 mA 1.00 A / Shunt 150 mΩ / max. 2 A 5.00 A / Shunt 30 mΩ / max. 7,5 A for 10 s
	Messuring of resistance	0...500 Ω 0... 30 kΩ
	Temperature-measuring Sensor-input	- 199,9 ... + 850,0 °C (= -328 ... +1563 °F) Pt 100, Pt 1000, KTY 83, KTY 84, 2- or 3-wire con- nection, line-resistance max. 3x 50 Ω
	Thermocouples	B, E, J, K, L, N, R, S, T
	Measuring time DC	< 300 ms x Ø
	Measuring time AC	< 700 ms + 300 ms x Ø
	Measuring time temperature + Resistance	< 600 ms (3-wire + thermocouple) < 300 ms (2-wire)
	Output	Relay output
Analog output		4-20 mA (insulated when externally supplied)
Supply-voltage for loop-powered measuring transducer and analog output		DC 15-20 V / max. 45 mA
Accuracy	Resolution	-1999 / +9999
	Error DC (of FullScale)	± 0,1 % ± 1 Digit ± 0,02 % K
	Error AC (of FullScale)	± 0,5 % ± 1 Digit ± 0,05 % K
	Error resistance (of value)	500 Ω: 0,2 % ± 0,5 Ω 30 kΩ: 0,5 % ± 2 Ω
	Error Pt 100 (of value)	± 0,2 % ± 0,5 K ± 0,04 °C/K
Housing		panel-mount housing 72 x 72 mm 72 x 72 x 103 mm
	Dimensions (h x w x d) mm	72 x 72 x 103 mm
	Attachment	panel-mount, panel cutout 68 ^{+0,7} x 68 ^{+0,7} mm max. thickness of panel: 8 mm
	Rated ambient temperature- range	-20...+60 °C
	Protection housing	front-side IP 50, back-side IP 20
Protection terminals	IP 20	
Weight	approx. 240 g	

Universal-Instrument MINIPAN SE352

in Housing for Panel-Mount 48 x 96 mm

MINIPAN SE352



Part numbers:

D440101

D440110 with analog output

With its 4 digit, 14 mm high display, Digital Panelmeters of MINIPAN SE 352-series allow the accurate display of different values in the range -1999 ... +9999.

Measuring inputs AC (True RMS), DC current and voltage and measuring of resistance and of temperatures with various sensors are combined in one instrument.

Two programmable switching points allow applications as limit-switch or 2- or 3-point controller.

With **EasyLimit** the switching points can be set easily. Other parameters are blocked and thus protected from unintended manipulation.

With its analog output (option) it is in addition a measuring-transducer.

The display can be easily programmed by the user (e.g. input DC 4-20 mA/display 0-350.0 m/s or 0...200 Ω / 0...3000 mm or AC 0-5 A / 0-400.0 A).

In addition the built-in universal power-supply AC/DC 24-240 V makes it even more versatile.

• Temperature:

- Pt 100 (RTD) , Pt 1000, KTY 83 and KTY 84 in 2- or 3-wire connection
- Thermocouples type B, E, J, K, L, N, R, S, T
- Measuring range -170 ... +1820 °C

- Resolution 0.1 °C (up to 999.9 C)
- Display in °C or °F

• AC/DC-measuring inputs:

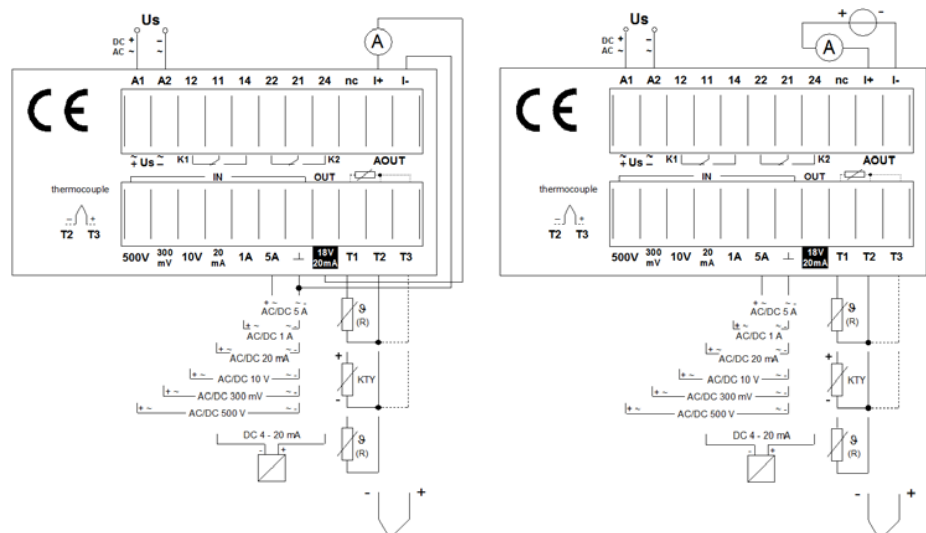
- 300 mV for measuring current with external shunt
- 1 and 5 A for direct measuring of current (or AC with external transformer)
- 500 V
- 10 V for standard signals
- 20 mA for standard signals
- AC-measuring TrueRMS

• Measuring of resistance:

- Ranges 0...500 Ω, 0...30 kΩ

• Easy programming with 3 buttons and supporting display:

- Display (zero, fullscale, decimal point)
- 2 switching points with hysteresis and delays
- **EasyLimit** for easy setting of alarms
- Switching with automatic reset or interlocked
- MIN/MAX-contacts or operating-/closed current mode of relays
- Storage of MIN- and MAX-values
- Average of multiple measurements
- Simulation of operation
- Code-lock against manipulation of settings
- Outputs 2 potential-free change-over contacts (co)
- Supply-voltage for external measuring transducer 4-20 mA
- Sticker with different measuring units included
- Terminals pluggable
- Mounting dimensions 48 x 96 mm
- Splash-proof frontside IP54
- Supply-voltage AC/DC 24-240 V
- Option: analog output 4...20 mA (insulated when externally supplied)



Technical Data MINIPAN SE352

Power supply	Rated supply-voltage U_s	AC/DC 24-240 V
	Tolerance DC	DC 20 - 297 V (0,85 x 24 V...1,35 x 220 V)
	Tolerance AC	AC 20 - 264 V (0,85 x 24 V...1,1 x 240 V)
	Power consumption	< 3 W, < 10 VA
	Frequency	48...62 Hz
Measuring inputs		potentially separated from supply-voltage (always connect 1 input only at the same time)
	DC-measuring Measuring-range / input- Resistance / overload capacity	± 300 mV / 29 kΩ / max. ±2,5 V ± 10.00 V / 1 MΩ / max. ±50 V ± 500.0 V / 3 MΩ / max. ±600 V ± 20.00 mA / Shunt 8 Ω / max. ±100 mA ± 1.00 A / Shunt 150 mΩ / max. ±2 A ± 5.00 A / Shunt 30 mΩ / max. ±7,5 A for 10 s
	AC-measuring Measuring-range / input- Resistance / overload capacity	300 mV / 20 kΩ / max. 2,5 V 10.00 V / 1 MΩ / max. 50 V 500.0 V / 3 MΩ / max. 600 V 20.00 mA / Shunt 8 Ω / max. 100 mA 1.00 A / Shunt 150 mΩ / max. 2 A 5.00 A / Shunt 30 mΩ / max. 7,5 A for 10 s
	Messuring of resistance	0...500 Ω, 0... 30 kΩ
	Temperature-measuring Sensor-input	- 199,9 ... + 850,0 °C (= -328 ... +1563 °F) Pt 100, Pt 1000, KTY 83, KTY 84, 2- or 3-wire con- nection, line-resistance max. 3x 50 Ω
	Thermocouples	B, E, J, K, L, N, R, S, T
	Measuring time DC	< 300 ms x Ø
	Measuring time AC	< 700 ms + 300 ms x Ø
	Measuring time temperature + Resistance	< 600 ms (3-wire + thermocouple) < 300 ms (2-wire)
	Output	Relay output
Analog output		4-20 mA (insulated when externally supplied)
Supply-voltage for loop-powered measuring transducer and analog output		DC 15-20 V / 25 mA
Accuracy	Resolution	-1999 / +9999
	Error DC (of FullScale)	± 0,1 % ± 1 Digit ± 0,02 % K
	Error AC (of FullScale)	± 0,5 % ± 1 Digit ± 0,05 % K
	Error resistance (of value)	500 Ω: 0,2 % ± 0,5 Ω 30 kΩ: 0,5 % ± 2 Ω
	Error Pt 100 (of value)	± 0,2 % ± 0,5 K ± 0,04 °C/K
Housing		panel-mount housing
	Dimensions (h x w x d) mm	48 x 96 x 100 mm
	Attachment	panel-mount, panel cutout 45 ^{+0,6} x 92 ^{+0,8} mm max. thickness of panel: 8 mm
	Rated ambient temperature- range	-20...+60 °C
	Protection housing	front-side IP 54, back-side IP 20
Protection terminals	IP 20	
Weight	approx. 240 g	