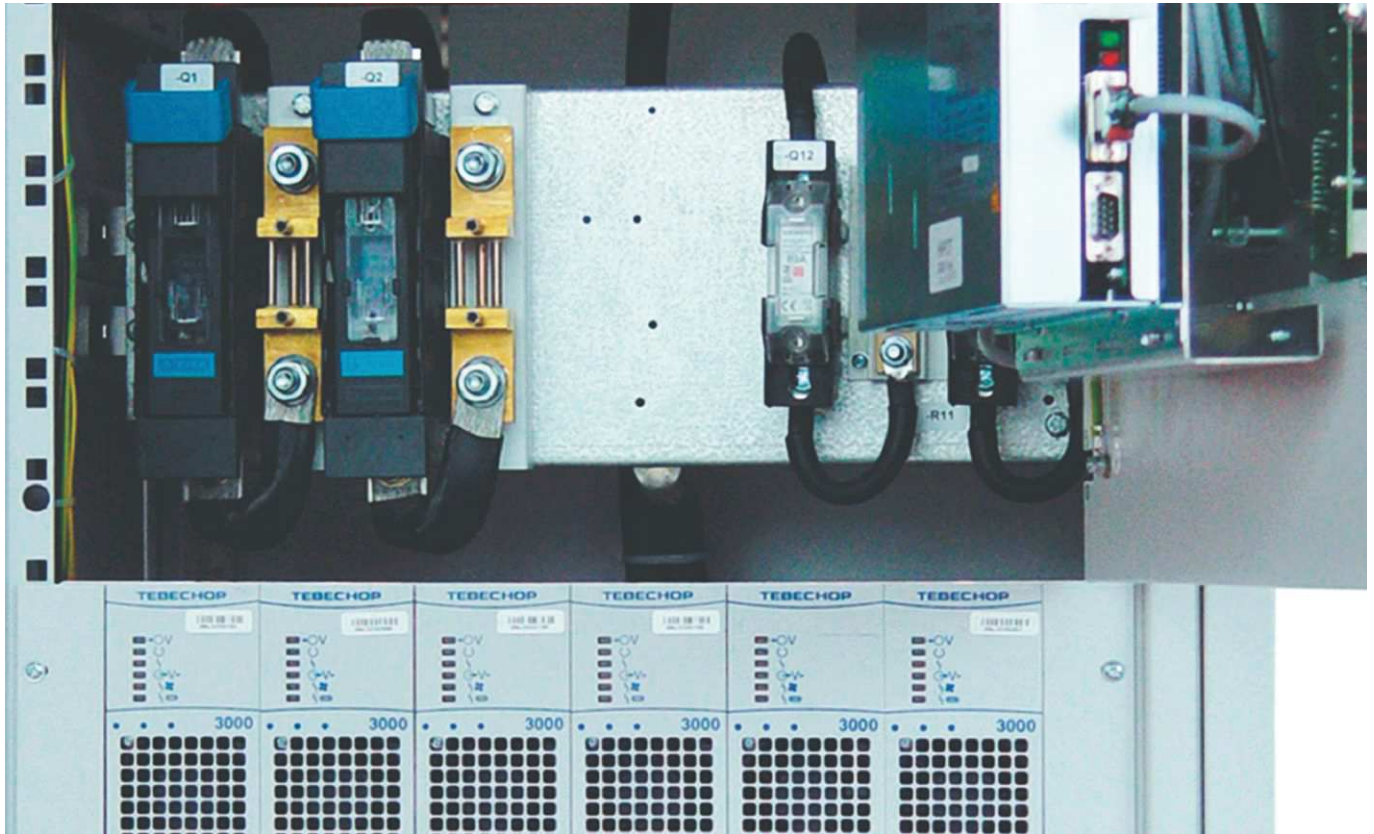


Power distribution components



NH Fuse-Bases

A large and comprehensive product range by EFEN for easy and low-cost realization of distribution systems. The range comprises systems for base-plate, supporting-rail and 60 mm busbar mounting. Various application-specific designs and a full range of accessories for many connection types as well as partition walls, contact and fuse covers complement the offer.

System

EFEN NH fuse-bases represent a simple and easy way of integrating NH fuse-links into power distribution systems. The product range includes sizes 000 to 3L for common installation systems and also various application-specific designs. The portfolio is complemented by a comprehensive range of accessories.

Features

The specific benefit of open NH fuse-bases is their suitability for use with NH fuse-links with high power dissipation such as gR fuse-links used in current transformer or machinery protection. Accessories can be retrofitted to provide protection against accidental contact.



NH Fuse-Bases

NH Fuse-Bases 690 V AC, 1-pole for baseplate and supporting-rail mounting	page 112
NH Fuse-Bases 690 V AC, 3-pole for baseplate and supporting-rail mounting	page 113
NH Fuse-Bases 690 V AC, 3-pole for baseplate and busbar mounting, SILAS series	page 113
NH Fuse-Bases 690 V AC, 1-pole for busbar mounting	page 114
NH Fuse-Bases 1500 V AC, 1-pole for baseplate mounting	page 114
Accessories for NH Fuse-Bases	page 115
Technical data	page 117
Solutions for measurement and power management	page 353

NH Fuse-Bases
up to 1500 V



NH Fuse-Base
3-pole, size 000, for baseplate and
supporting-rail mounting



NH Fuse-Bases
1-pole version



NH Fuse-Base
for busbar mounting



NH Fuse-Bases
3-pole version



Accessories
Wide product range



NH Fuse-Bases
SILAS series



NH Fuse-Bases 690 V AC, 1-pole, for baseplate and supporting-rail mounting acc. to VDE 0636 T201 / IEC 60269-2-1

► Technical data, page 117

Power distribution components



33600-0020

NH Fuse-Bases 690 V AC

Features:

- 1-pole for baseplate mounting
- Without partition walls or contact covers
- All devices include connecting hardware (except V-clamps)

Designation	Size	Amps	PU	Product designation	Order no.
Multiple-use terminal with pressure plates for cables 1.5 – 50 mm ²	00	125	12	NH-UNT 00 125A U3U3	33600-0030
Flat terminal M8 for baseplate mounting, size 00, suitable for TPS fuses up to 250 A	00	160	10	NH-UNT 00 160A G4G4	33120-0010
Flat terminal M8	00	160	12	NH-UNT 00 160A L4L4	33600-0010
Clinch nut M8	00	160	12	NH-UNT 00 160A G4G4	33600-0020
Multiple-use terminal with pressure plates and contact prism for cables 1.5 – 70 mm ²	00	160	12	NH-UNT 00 160A U4U4	33600-0040
V-terminal (not including V-clamps)	00	160	12	NH-UNT 00 160A V2V2	33600-0050
Clamp for 2 x 35 mm ²	00	160	12	NH-UNT 00 160A S9S9	33600-0060
Flat terminal M10	1	250	3	NH-UNT 1 250A L5L5	33627-0010
Clinch nut M10	1	250	3	NH-UNT 1 250A G5G5	33627-0020
V-terminal (not including V-clamps)	1	250	3	NH-UNT 1 250A V2V2	33627-0050
Flat terminal M10	2	400	3	NH-UNT 2 400A L5L5	33632-0010
Clinch nut M10	2	400	3	NH-UNT 2 400A G5G5	33632-0020
V-terminal (not including V-clamps)	2	400	3	NH-UNT 2 400A V2V2	33632-0050
Flat terminal M12	3	630	3	NH-UNT 3 L6L6	33035-0020
Clinch nut M10	3	630	3	NH-UNT 3 G5G5	33036-0020
Flat terminal M8	00	160	12	NH-UNT 00 160A HB L4L4	33602-0010



33602-0020

NH Fuse-Bases 690 V AC

Features:

- 1-pole for supporting-rail mounting
- All devices include connecting hardware (except V-clamps)

Designation	Size	Amps	PU	Product designation	Order no.
Clinch nut M8	00	160	12	NH-UNT 00 160A HB G4G4	33602-0020
Multiple-use terminal with pressure plates for cables 1.5 – 50 mm ²	00	125	12	NH-UNT 00 125A HB U3U3	33602-0030
Multiple-use terminal with pressure plates and contact prism for cables 1.5 – 70 mm ²	00	160	12	NH-UNT 00 160A HB U4U4	33602-0040
V-terminal (not including V-clamps)	00	160	12	NH-UNT 00 160A HB V2V2	33602-0050
Clamp for 2 x 35 mm ²	00	160	12	NH-UNT 00 160A HB S9S9	33602-0060
Flat terminal M8 for supporting-rail mounting, size 00, suitable for TPS fuses up to 250 A	00	160	10	NH-UNT 00 160A HB G4G4	33120-0070

NH Fuse-Bases 690 V AC, 3-pole, for baseplate and supporting-rail mounting acc. to VDE 0636 T201 / IEC 60269-2-1

► Technical data, page 121



33608-0010

NH Fuse-Bases 690 V AC

Features:

- 3-pole for baseplate mounting
- Including 2 partition walls, no covers
- All devices include connecting hardware (except V-clamps)

Designation	Size	Amps	PU	Product designation	Order no.
Multiple-use terminal with pressure plates for cables 1.5 – 50 mm ²	00	125	4	NH-UNT 00 3P 125A U3U3	33608-0030
Flat terminal M8	00	160	4	NH-UNT 00 3P 160A L4L4	33608-0010
Clinch nut M8	00	160	4	NH-UNT 00 3P 160A G4G4	33608-0020
Multiple-use terminal with pressure plates and contact prism for cables 1.5 – 70 mm ²	00	160	4	NH-UNT 00 3P 160A U4U4	33608-0040
V-terminal (not including V-clamps)	00	160	4	NH-UNT 00 3P 160A V2V2	33608-0050
Clamp for 2 x 35 mm ²	00	160	4	NH-UNT 00 3P 160A S9S9	33608-0060
Flat terminal M10	1	250	1	NH-UNT 1 3P 250A L5L5	33631-0010
Clinch nut M10	1	250	1	NH-UNT 1 3P 250A G5G5	33631-0020
V-terminal (not including V-clamps)	1	250	1	NH-UNT 1 3P 250A V2V2	33631-0050
Flat terminal M10	2	400	1	NH-UNT 2 3P 400A L5L5	33633-0010
Clinch nut M10	2	400	1	NH-UNT 2 3P 400A G5G5	33633-0020
V-terminal (not including V-clamps)	2	400	1	NH-UNT 2 3P 400A V2V2	33633-0050
Flat terminal M12	3	630	1	NH-UNT 3 3P L6L6	33037-0010



33125-0010

NH Fuse-Bases 690 V AC, size 000

Features:

- 3-pole for supporting-rail mounting
- Suitable for baseplate mounting with supporting-rail mounting removed

Designation	Size	Amps	PU	Product designation	Order no.
Box terminal 1.5 – 50 mm ² , for supporting-rail mounting	000	160	10	NH-UNT 000 3P 160A HB R4R4	33125-0010

NH Fuse-Bases 690 V AC, 3-pole, for baseplate and busbar mounting, SILAS series

► Technical data, page 125



33300-0000

NH Fuse-Bases, SILAS series, 3-pole for baseplate mounting

Features:

- Compact base for baseplate mounting

Designation	Size	Amps	PU	Product designation	Order no.
Multiple-use terminal (bolt M8)	00	160	1	SILAS NH-UNT 00 3P G4G4	33300-0000
Box clamp 1.5 – 70 mm ²	00	160	1	SILAS NH-UNT 00 3P RR	33301-0000
Multiple-use terminal (bolt M10)	1	250	1	SILAS NH-UNT 1 3P G5G5	33320-0000
Multiple-use terminal (bolt M10)	2	400	1	SILAS NH-UNT 2 3P G5G5	33330-0000



33304-0000

NH Fuse-Bases, SILAS series, 3-pole, for busbar mounting on 60 mm systems with hook contacting

Features:

- Compact base for busbar mounting

Designation	Size	Amps	PU	Product designation	Order no.
Multiple-use terminal (bolt M8)	00	160	1	SILAS NH-UNT 00 SB 3P G4	33304-0000
Box clamp 1.5 – 70 mm ²	00	160	1	SILAS NH-UNT 00 SB 3P R	33305-0000
Multiple-use terminal (bolt M10)	1	250	1	SILAS NH-UNT 1 SB 60 3P G5	33321-0000
Multiple-use terminal (bolt M10)	2	400	1	SILAS NH-UNT 2 SB 60 3P G5	33331-0000

NH Fuse-Bases 690 V AC, 1-pole, for busbar mounting acc. to VDE 0636 T201 / IEC 60269-2-1

► Technical data, page 120



33003-0020

NH Fuse-Bases 690 V AC

Features:

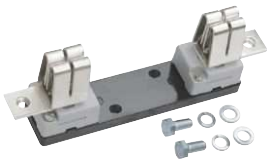
- 1-pole, for contacting on busbar systems according to DIN 43870

Designation	Size	Amps	PU	Product designation	Order no.
Flat terminal M8, clamp mounting	00	160	10	NH-UNT 00 160A SB F1L4	33001-0020
Flat terminal M8 for busbar mounting, size 00, suitable for TPS fuses up to 250 A	00	160	10	A NH-UNT 00 160A SB F2L4	33003-0020
Flat terminal M12, screw mounting	1-3	250-630	3	NH-UNT 1-3 SB SH L6	33135-0010

Power distribution components

NH Fuse-Bases 1500 V AC, 1-pole for baseplate mounting

► Technical data, page 120



33039-0010

NH Fuse-Bases 1500 V AC, 1-pole, acc. to VDE 0636 T201 / IEC 60269-2-1

Features:

- NH fuse-bases, 1-pole, for use with NH fuse-links of size 3L

Designation	Size	PU	Product designation	Order no.
Clinch nut M12, without microswitch	3L	1	NH-UNT 3L 1500V G6G6	33039-0010
Clinch nut M12, with microswitch	3L	1	A NH-UNT 3L 1500V MS G6G6	33041-0010

Accessories for NH Fuse-Bases 690 V AC acc. to VDE 0636 T201 / IEC 60269-2-1

► Technical data, on demand



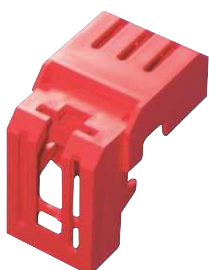
90181-0100

Partition wall

Features:

- For NH fuse-bases (series 336 ...)

Designation	Size	PU	Product designation	Order no.
Partition wall, clamp contacting, for series 33003 ...	00	1	A TRENNWAND	30744-0100
Partition wall, hook contacting, for series 33003 ...	00	1	A TRENNWAND GR.00	30780-0100
Partition wall, short, 130 mm	00	1	TRENNWAND UNT 00 KURZ 130MM	90181-0100
Partition wall, long, V-clamp, 152 mm	00	1	TRENNWAND UNT 00 LANG V2 152MM	90181-0200
Partition wall, 210 mm	1	1	TRENNWAND UNT 1 210MM	90184-0100
Partition wall, 240 mm	2	1	TRENNWAND UNT 2 240MM	90184-0200
Partition wall, for series 33135, 33035, 33036, 33037	3	1	TRENNWAND GR.3	30846-0100



90182-0100

Contact covers

Features:

- For NH fuse-bases (series 336 ...)

Designation	Size	PU	Product designation	Order no.
Contact cover, for series 33003 ...	00	1	SCHUTZHAUBE GR.00	31009-0100
Contact cover, short	00	1	KONTAKTABDECKUNG UNT 00 KURZ	90182-0100
Contact cover, long, for V-clamp	00	1	KONTAKTABDECKUNG UNT 00 LANG V2	90182-0200
Contact cover	1	1	KONTAKTABDECKUNG UNT 1	90185-0100
Contact cover	2	1	KONTAKTABDECKUNG UNT 2	90185-0200



90186-0100

Fuse cover

Features:

- For NH fuse-bases (series 336 ...)

Designation	Size	PU	Product designation	Order no.
Fuse cover	00	1	SICHERUNGSABDECKUNG UNT 00	90183-0100
Fuse cover	1-2	1	SICHERUNGSABDECKUNG UNT 1-2	90186-0100
Contact cover with microswitch for fuse-monitoring of NH Fuse-Bases of series 33120...	00	1	KONTAKTABDECKUNGEN SU FÜR UNT GR.00	36889-0010



85246-0100

V-clamp

Features:

- For NH fuse-bases (series 336 ...)

Designation	Size	Amps	PU	Product designation	Order no.
V-clamp 35 - 70 mm ²	00	160	1	KLEMME 35-70 SM	85246-0100
V-clamp up to 240 mm ²	1-3	630	1	Klemme V2 MD 240sm/300rm	85542-0100



33680-0010

Neutral bar

Designation	Size	Amps	PU	Product designation	Order no.
Neutral bar with flat terminal M8	00	160	1	NULLSCHIENE 00 L4L4	33680-0010

Accessories for NH Fuse-Bases, SILAS series

► Technical data, on demand



36996-0010

Fuse cover for SILAS series

Designation	Size	PU	Product designation	Order no.
Fuse cover size 00	00	1	SICHERUNGSABDECKUNG NH-UNT GR.00 SILAS	36996-0010



36934-0010

Pressure plate for multiple-use terminal, SILAS series

Features:

- Simple addition for the connection of Cu conductors, se, sm and laminated copper (size 1 and 2 only)
- 1 kit = 3 pieces

Designation	Size	Amps	PU	Product designation	Order no.
6 - 50 mm ²	00	160	3	1SATZ (3STÜCK) DRUCKSTÜCKE GR.00 SILAS	36934-0010
70 - 150 mm ²	1	250	3	1SATZ (3STÜCK) DRUCKSTÜCKE GR.1 SILAS	36936-0010
120 - 240 mm ²	2	400	3	1SATZ (3STÜCK) DRUCKSTÜCKE GR.2 SILAS	36997-0010



36975-0010

Pressure plate with contact prism for multiple-use terminal, SILAS series

Features:

- Simple addition for the connection of Cu and Al conductors
- 1 kit = 3 pieces

Designation	Size	Amps	PU	Product designation	Order no.
6 - 70 mm ²	00	160	3	1SATZ (3STÜCK) KONTAKTPRISMA GR.00 SILAS	36975-0010
70 - 150 mm ²	1	250	3	1SATZ (3STÜCK) KONTAKTPRISMEN GR.1 SILAS	36942-0010
120 - 240 mm ²	2	400	3	1SATZ (3STÜCK) KONTAKTPRISMEN GR.2 SILAS	36943-0010
150 - 300 mm ²	3	630	3	1SATZ (3STÜCK) DRUCKSTÜCKE GR.3 SILAS	36991-0010



36982-0010

Pressure plates with contact prism for 2 conductors, multiple-use terminal, SILAS series

Features:

- Simple addition for the connection of 2 Cu and Al conductors
- 1 kit = 3 pieces

Designation	Size	Amps	PU	Product designation	Order no.
2 x 35 - 70 mm ²	1	250	3	1SATZ (3ST) KONTAKTPR.2LEITER GR.1 SILAS	36982-0010
2 x 70 - 120 mm ²	2	400	3	1SATZ (3ST) KONTAKTPR.2LEITER GR.2 SILAS	36983-0010
2 x 150 - 185 mm ²	3	630	3	1SATZ (3ST) KONTAKTPR.2LEITER GR.3 SILAS	36984-0010



36937-0010

Supporting-rail mounting

Features:

- For 2 supporting rails with a spacing of 125 or 150 mm

Designation	Size	PU	Product designation	Order no.
Quick-mount kit for 2 supporting rails with a spacing of 125 or 150 mm	00 - 1	1	SCHNELLEBFESTIGUNG 125/150 GR.00/1 SILAS	36937-0010



36994-0010

Box clamp

Features:

- For the simple conversion from multiple-use terminal to box clamp
- 1 kit = 3 pieces

Designation	Size	Amps	PU	Product designation	Order no.
35 - 150 mm ²	1	250	3	1SATZ (3STÜCK) RAHMENKLEMME GR.1 SILAS	36992-0010
95 - 300 mm ²	2 - 3	630	3	1SATZ (3STÜCK) RAHMENKLEMME GR.2+3 SILAS	36994-0010

NH Fuse-Bases 690 V AC

Product overview of standard Fuse-Bases

Size	00	1	2	3
Rated current (A)	125/160	250	400	630
1-pole, baseplate mounting	•	•	•	•
3-pole, baseplate mounting	•	•	•	•
Busbar supports, size 00 – 3	•	•	•	•
Supporting-rail mounting	•			

Product overview of special designs

Size	000	3L
1-pole, 1500 V AC		•
3-pole, supporting-rail mounting	•	

Product overview of EFEN SILAS Fuse-Bases, 3-pole

Size	00	1	2
Rated current (A)	125/160	250	400
Baseplate mounting	•	•	•
Busbar mounting	•	•	•

Technical data acc. to VDE 0636 T201 / IEC 60269-2-1

Suitable for NH fuse-links according to DIN 43620/1	Size	000	00	1	2	3	3L
Rated operating current I_N	A	125	160	250	400	630	630
Rated voltage U_N	V	690					
Current type and rated frequency		AC 50Hz					
Rated isolation voltage U_i	V	690					
r.m.s value of the power-frequency test voltage for 60s	V	2500					
Maximum cut-out current / short-circuit withstand-current (when protected by NH fuse-links)	kA	25	25	38	48	70	25
Permissible ambient temperature	°C	-25 to +55					
Degree of protection acc. to DIN/EN 60529 / VDE 0470 T1	IP	IP 3x	IP 00				
Maximum permissible power dissipation of the NH fuse-link	W	12	12	32	45	60	132
Weight without fuse-links, 1-pole	kg	-	0,14	0,34	0,41	0,62	1,6
Weight without fuse-links, 3-pole	kg	0,33	0,52	1,03	1,22	-	-
Weight without fuse-links, 3-pole, SILAS series	kg	-	0,50	1,4	2,10	-	-

Tightening torques for terminals and busbar mounting

Size	NH 000	NH 00	NH 1	NH 2	NH 3
Type of terminal	Tightening torques (Nm)				
Multiple-use terminal (screw terminal)	-	12	20	20	20
Pressure plates with bolts	-	3	6	8	8
Pressure plates with bolts and contact prisms	-	3	6	8	8
Box clamp	-	6	6	8	8
Busbar contacting	4,5	4,5	12	20	20

NH Fuse-Bases 1-pole for baseplate mounting / supporting-rail mounting

NH Fuse-Bases, size 00 – 3, for baseplate mounting

Description	Size	Amps I _n	Designation	PU	Weight in kg	Order no.
Multiple-use terminal with pressure plates for cable 1.5 – 50 mm ²	00	125	NH-UNT 00 125A U3U3	12	0,14	33600-0030
Flat terminal, bolt and nut M8	00	160	NH-UNT 00 160A L4L4	12	0,14	33600-0010
Clinch nut and bolt M8	00	160	NH-UNT 00 160A G4G4	12	0,14	33600-0020
Multiple-use terminal with pressure plates and contact prism for cable 1.5 – 70 mm ²	00	160	NH-UNT 00 160A U4U4	12	0,14	33600-0040
V-terminal (not including V-clamps)	00	160	NH-UNT 00 160A V2V2	3	0,14	33600-0050
Clamp for 2 x 35 mm ²	00	160	NH-UNT 00 160A S9S9	3	0,14	33600-0060
Neutral bar	00	160	NULLSCHIENE 00L4L4	10	0,120	33680-0010
Flat terminal M8	00	160	NH-UNT 00 160A G4G4	10	0,120	33120-0010
Flat terminal, bolt and nut M10	1	250	NH-UNT 1 250A L5L5	3	0,34	33627-0010
Clinch nut and bolt M10	1	250	NH-UNT 1 250A G5G5	3	0,34	33627-0020
V-terminal (not including V-clamps)	1	250	NH-UNT 1 250A V2V2	3	0,34	33627-0050
Flat terminal, bolt and nut M10	2	400	NH-UNT 2 400A L5L5	3	0,41	33632-0010
Clinch nut and bolt M10	2	400	NH-UNT 2 400A G5G5	3	0,41	33632-0020
V-terminal (not including V-clamps)	2	400	NH-UNT 2 400A V2V2	3	0,41	33632-0050
Flat terminal, bolt and nut M12	3	630	NH-UNT 3 L6L6	3	0,62	33035-0020
with clinch nut M10	3	630	NH-UNT 3 G5G5	3	0,62	33036-0020

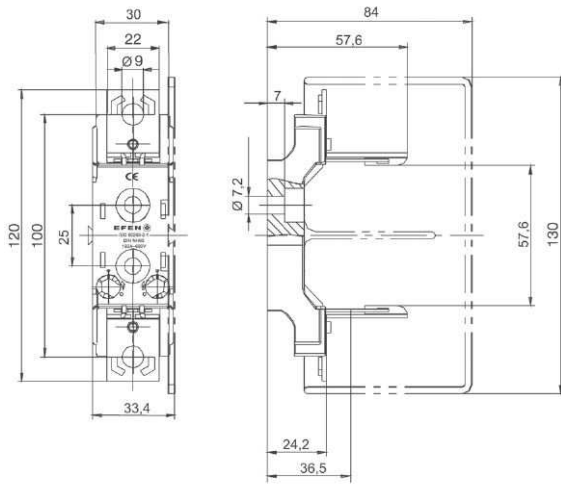
NH Fuse-Bases size 00, for supporting-rail mounting

Description	Size	Amps I _n	Designation	PU	Weight in kg	Order no.
Flat terminal, bolt and nut M8	00	160	NH-UNT 00 160A HB L4L4	12	0,14	33602-0010
Clinch nut and bolt M8	00	160	NH-UNT 00 160A HB G4G4	12	0,14	33602-0020
Multiple-use terminal with pressure plates for cables 1.5 – 50 mm ²	00	125	NH-UNT 00 125A HB U3U3	12	0,14	33602-0030
Multiple-use terminal with pressure plates and contact prism for cables 1.5 – 70 mm ²	00	160	NH-UNT 00 160A HB U4U4	12	0,14	33602-0040
V-terminal (not including V-clamps)	00	160	NH-UNT 00 160A HB V2V2	12	0,14	33602-0050
Clamp for 2 x 35 mm ²	00	160	NH-UNT 00 160A HB S9S9	12	0,14	33602-0060
Flat terminal M8	00	160	NH-Unt 00 160 A HB G4G4	10	0,130	33120-0070

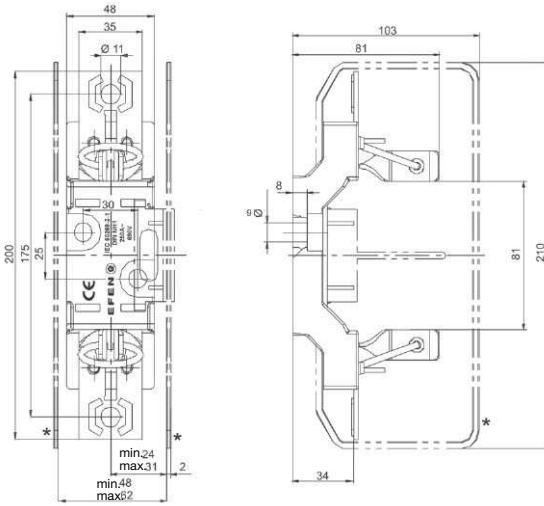
NH Fuse-Bases

1-pole for baseplate mounting / supporting-rail mounting

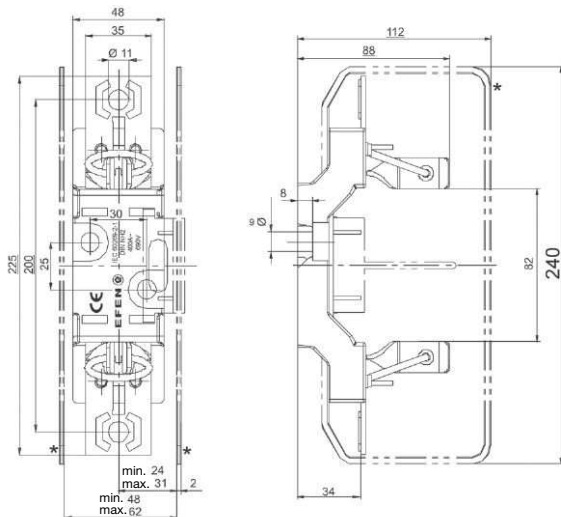
Size 00, series 336....



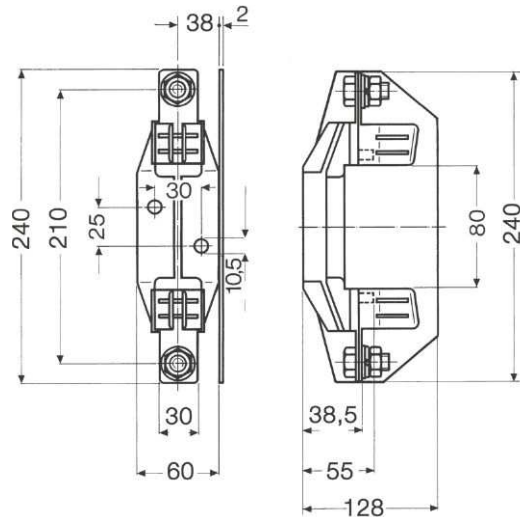
Size 1, series 336....



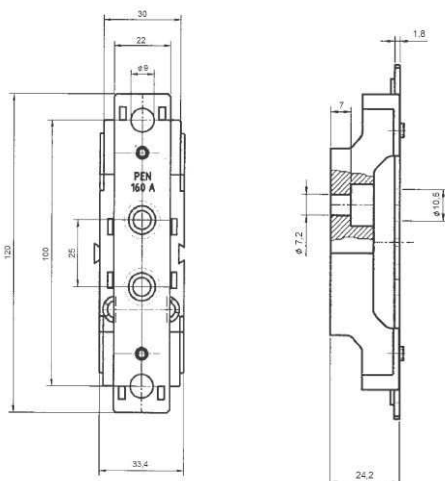
Size 2, series 336....



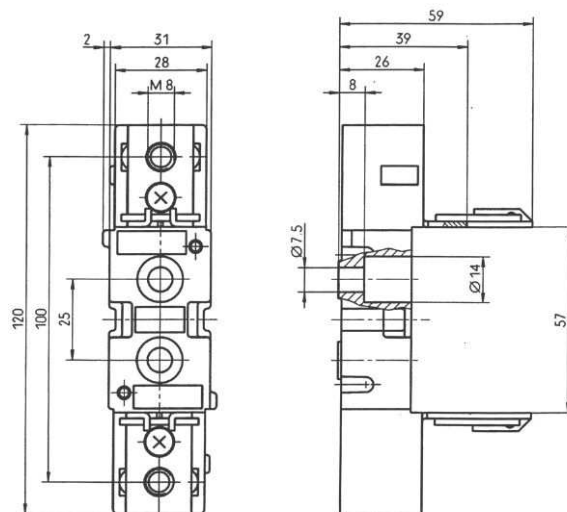
Size 3, series 3303....



Neutral bar, size 00



NH Fuse-Base, size 00 33120....



Power distribution components

NH Fuse-Bases 1-pole for busbar mounting / baseplate mounting

NH Fuse-Bases size 00 – 3, for busbar mounting acc. to DIN 43870

Description	Size	Amps I _n	Designation	PU	Weight in kg	Order no.
Flat terminal M8, clamp mounting	00	160	NH-UNT 00 160A SB F2L4	10	0,14	33003-0020
Flat terminal M8, hook-mounting	00	160	NH-UNT 00 160A SB F1L4	10	0,14	33001-0020
Flat terminal M12, contact cover included	1-3	250-630	NH-UNT 1-3 SB SH L6	3	0,14	33135-0010

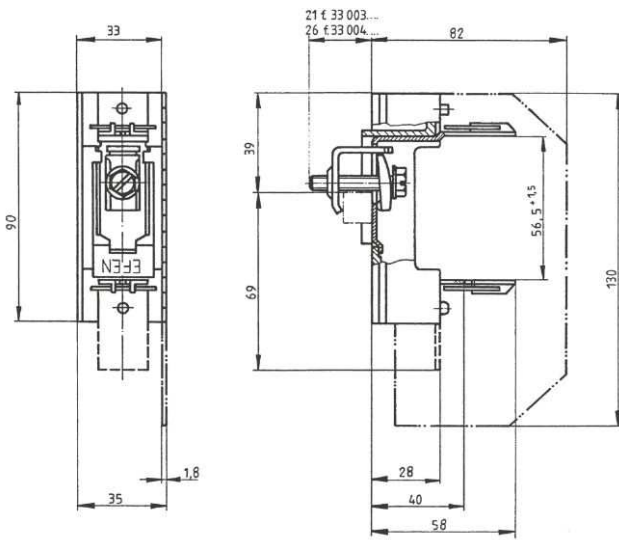
NH Fuse-Bases, size 3L, 1500 V AC, for baseplate mounting

Description	Size	Amps I _n	Designation	PU	Weight in kg	Order no.
Clinch nut M12, without microswitch	3L	425	NH-UNT 3L 1500 V G6 G6	1	1,24	33039-0010
Clinch nut M12, with microswitch	3L	425	NH-UNT 3L 1500 V Ms G6 G6	1	1,24	33041-0010

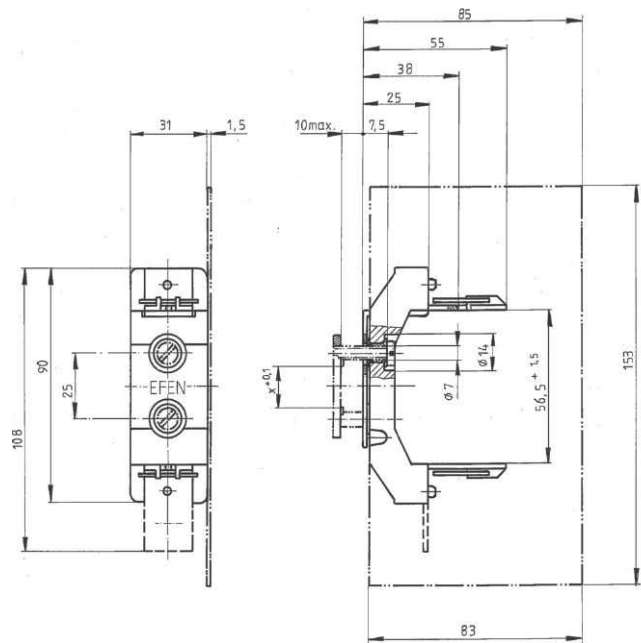
NH Fuse-Bases

1-pole for busbar mounting / baseplate mounting

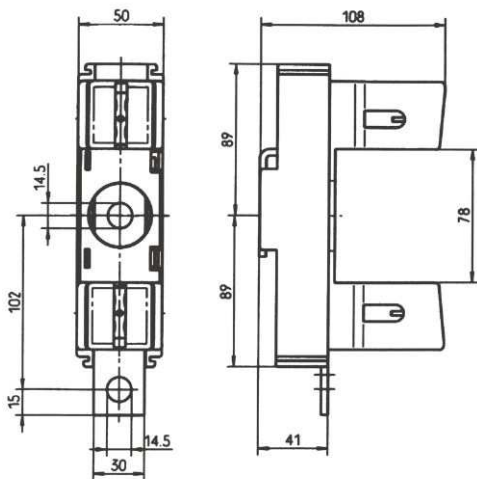
Size 00, 33003-0020



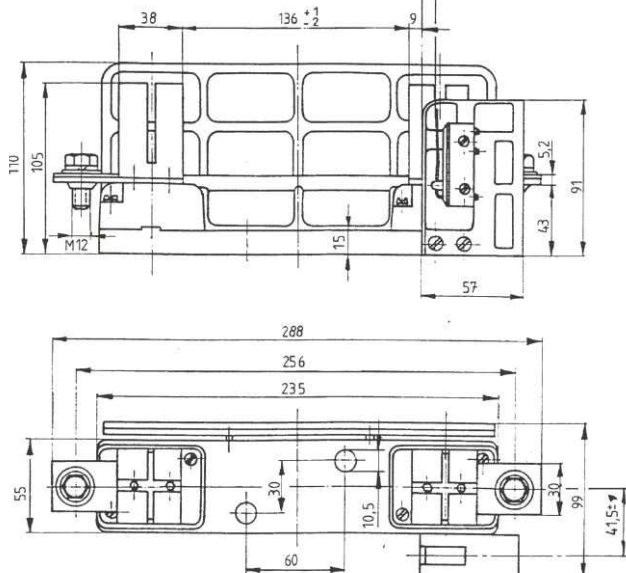
Size 00, 33001-0020



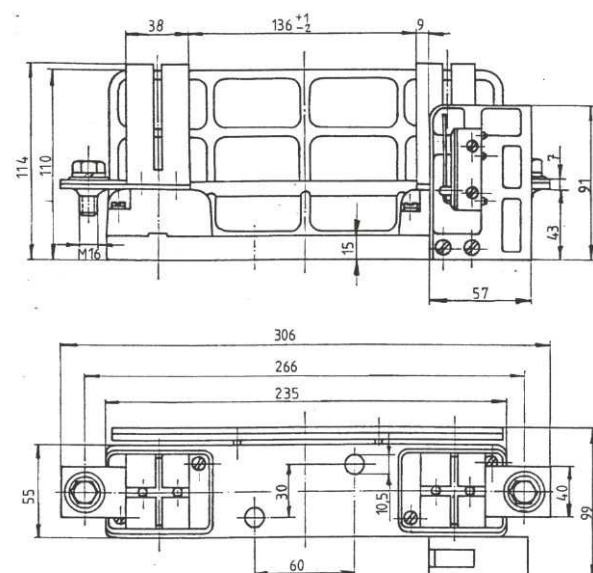
Size 3, 33135-0010



Size 3L clinch nut M12, 425 A, 33039-0010



Clinch nut M16, 630 A, 33041-0010



Power distribution components

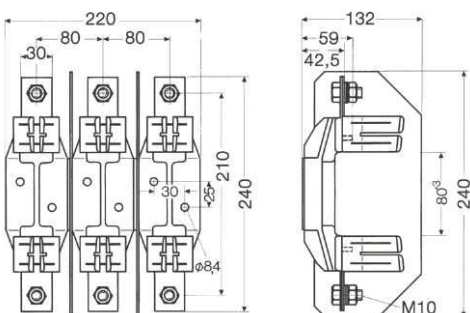
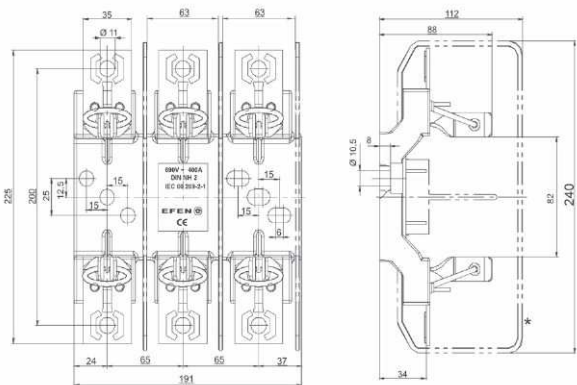
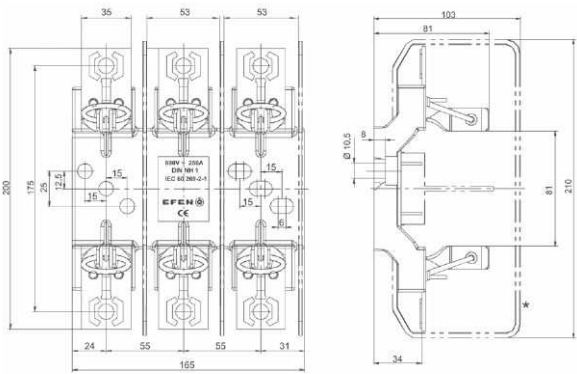
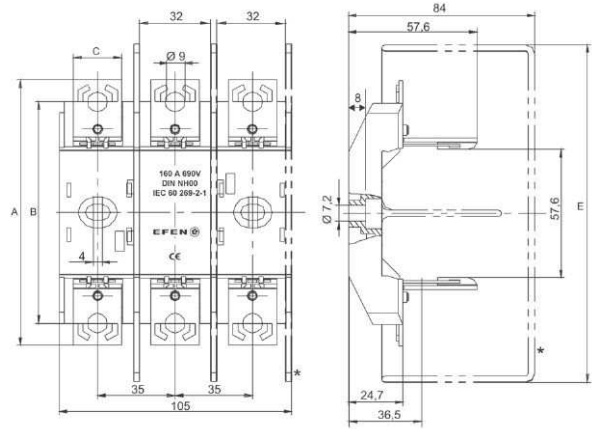
NH Fuse-Bases 3-pole for baseplate or supporting-rail mounting

NH Fuse-Bases 690 V AC, 3-pole, for baseplate mounting

Description	Size	Amps I _n	Designation	PU	Weight in kg	Order no.
Flat terminal M8	00	160	NH-UNT 00 3P 160A L4L4	4	0,52	33608-0010
Clinch nut M8	00	160	NH-UNT 00 3P 160A G4G4	4	0,52	33608-0020
Multiple-use terminal with pressure plates for cables 1.5 – 50 mm ²	00	125	NH-UNT 00 3P 125A U3U3	4	0,52	33608-0030
Multiple-use terminal with pressure plates and contact prism for cables 1.5 – 70 mm ²	00	160	NH-UNT 00 3P 160A U4U4	4	0,52	33608-0040
V-terminal (not including V-clamps)	00	160	NH-UNT 00 3P 160A V2V2	4	0,52	33608-0050
Clamp for 2 x 35 mm ²	00	160	NH-UNT 00 3P 160A S9S9	4	0,52	33608-0060
Flat terminal M10	1	250	NH-UNT 1 3P 250A L5L5	1	1,03	33631-0010
Clinch nut M10	1	250	NH-UNT 1 3P 250A G5G5	1	1,03	33631-0020
V-terminal (not including V-clamps)	1	250	NH-UNT 1 3P 250A V2V2	1	1,03	33631-0050
Flat terminal M10	2	400	NH-UNT 2 3P 400A L5L5	1	1,22	33633-0010
Clinch nut M10	2	400	NH-UNT 2 3P 400A G5G5	1	1,22	33633-0020
V-terminal (not including V-clamps)	2	400	NH-UNT 2 3P 400A V2V2	1	1,22	33633-0050
Flat terminal M12	3	630	NH-UNT 3 3P L6L6	1	2,57	33037-0010

NH Fuse-Bases 690 V AC, 3-pole, for supporting-rail mounting

Description	Size	Amps I _n	Designation	PU	Weight in kg	Order no.
Box clamp 1.5 – 50 mm ²	000	100	NH-UNT 000 3P 160A HB R4R4	10	0,33	33125-0010



NH Fuse-Bases 690 V AC 3-pole, size 00-2, for baseplate and busbar mounting, SILAS series

For baseplate mounting

Description	Size	Amps I _n	Designation	PU	Weight in kg	Order no.
Multiple-use terminal (bolt M8)	00	160	SILAS NH-UNT 00 3P G4G4	1	0,50	33300-0000
Box clamp 2.5 – 95 mm ²	00	160	SILAS NH-UNT 00 3P RR	1	0,60	33301-0000
Multiple-use terminal (bolt M10)	1	250	SILAS NH-UNT 1 3P G5G5	1	1,40	33320-0000
Multiple-use terminal (bolt M10)	2	400	SILAS NH-UNT 2 3P G5G5	1	2,10	33330-0000

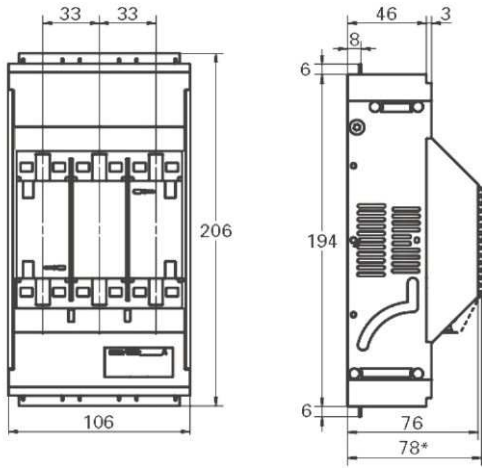
For busbar mounting on 60 mm systems with hook contacting

Description	Size	Amps I _n	Designation	PU	Weight in kg	Order no.
Multiple-use terminal (bolt M8)	00	160	SILAS NH-UNT 00 SB 3P G4	1	0,60	33304-0000
Box clamp 2.5 – 95 mm ²	00	160	SILAS NH-UNT 00 SB 3P R	1	0,60	33305-0000
Multiple-use terminal (bolt M10)	1	250	SILAS NH-UNT 1 SB 60 3P G5	1	1,50	33321-0000
Multiple-use terminal (bolt M10)	2	400	SILAS NH-UNT 2 SB 60 3P G5	1	2,40	33331-0000

NH Fuse-Bases 690 V AC

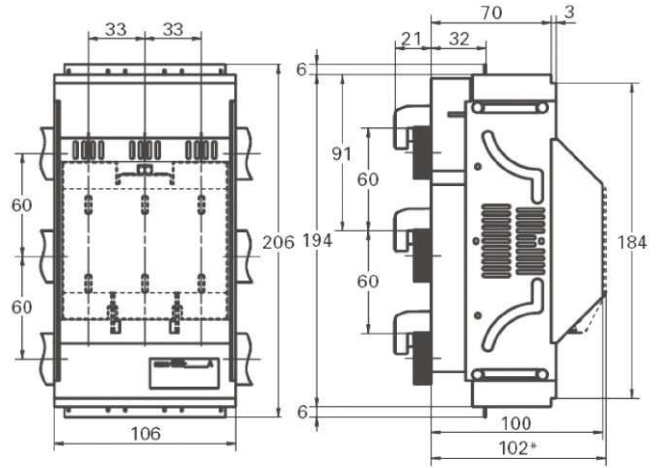
3-pole, size 00-2, for baseplate and busbar mounting, SILAS series

Baseplate mounting, size 00



* = with fuse cover

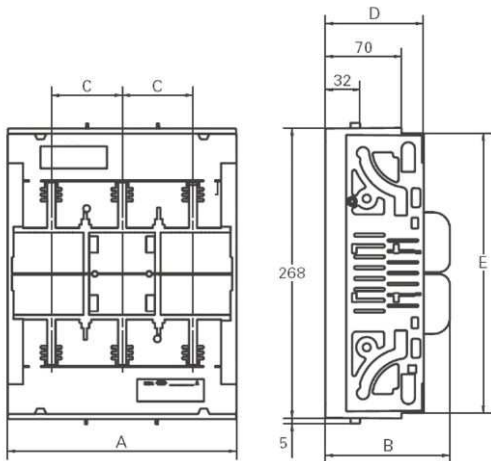
Busbar mounting, size 00



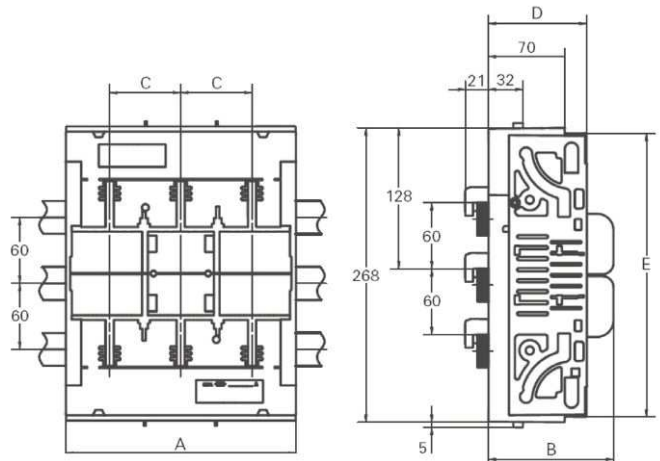
* = with fuse cover

Power distribution components

Baseplate mounting, size 1 and 2



Busbar mounting, size 1 and 2



	A	B	C	D	E
Size 1	184	96	57	70	258
Size 2	210	114	65	90	258