

# TIME RELAYS



TELE offers the widest range of products with the following performance features:

- Functionality ranging from simple delayed activation right up to multifunctional timing relays with a remote potentiometer connection and potential-free control contact
- Internal or external power supply (e.g. 24V DC)
- Various forms of housing for control engineering, industrial systems and machine building as well as building installations
- Variants available for DIN rails, switchboard or front installation, 11-pole plug-in base or industrial relays

The robust design with generous terminal space throughout ensures very good usability and installability.

# OVERVIEW

		Page
<b>Selection matrix Time relays</b>	Quick and explicit to the right product.	105
<b>Function overview</b>	Explanations of important terms - A, Bi, Bp, ...	108
<b>Time Relays</b>	- Series Industry: GAMMA - Series Industry compact: DELTA - Series plugable: KAPPA, PLUS - Series Installation: ENYA - Front installation: FRONT, RONDO - TimeModule: COMBI	111 121 131 135 147 149
<b>Star-Delta-Relays</b>	- Series Industry: GAMMA - Series Industry compact: DELTA - Series plugable: KAPPA - Series Installation: ENYA	119 129 131 141
<b>Light Controller</b>	- Series Installation: ENYA	143
<b>Emergency light tester</b>	- Series Installation: ENYA	145

# SERIES Design



# TIME RELAYS

### Functions

OFF Delay without Auxiliary Voltage	A
Flasher pulse first	Bi
Flasher pause first	Bp
ON delay	E
ON and OFF delay with control contact	ER
ON delay with control contact	Es
ON delay and single shot leading edge with control contact	EWs
ON delay and single shot leading edge voltage controlled	EWu
Asymmetric flasher pulse first	li
Asymmetric flasher pause first	lp
OFF delay	R
Star-Delta start-up	S
Single shot trailing edge with control contact	Wa
Single shot leading edge with control contact	Ws
Single shot leading and trailing edge with control contact	WsWa
Pulse detection	Wt
Single shot leading edge voltage controlled	Wu
Maintained single shot trailing edge	nWa
Maintained single shot leading edge	nWu
Maintained single shot leading and single shot trailing	nWuWa
Potential free control contact	
Number of remote potentiometer	1 1 2 2
Time Ranges	16 16 7 4 4 60/30 90/45 16 44 44

### Outputs

1 CO contact	
2 CO contacts	
3 CO contacts	
1 Thyristor output	
1 Transistor output	
1 NO	
2 NO	
1 O	

### cULus - Certificates

#### Supply voltage

G2ZMF11 24-240V AC/DC	24 - 240V AC/DC; Coord200m <sup>3)</sup>
G2ZMF11	12 - 440V AC, 24V DC <sup>1)</sup>
G2ZM20 12-240V AC/DC	12 - 240V AC/DC
G2ZA20 10min 24-240V AC/DC	24 - 240V AC/DC
G2ZAA20 10min	24 - 440V AC, 24V DC <sup>1)</sup>
G2ZIF20 24-240V AC/DC	24 - 240V AC/DC; Coord200m <sup>3)</sup>
G2ZIF20	12 - 440V AC, 24V DC <sup>1)</sup>
G2ZID20 12-240V A/DC	12 - 240V AC/DC
G2ZE10 400V AC	400V AC
G2ZS20 24-240V AC/DC	24 - 240V AC/DC; Coord200m <sup>3)</sup>
G2ZS20	12 - 440V AC, 24V DC <sup>1)</sup>
D6M 12-240V AC/DC	12 - 240V AC/DC
D6M 24V AC/DC 110-240V AC	24V AC/DC or 110 - 240V AC
D6DQ 24V AC/DC 110-240V AC	24V AC/DC or 110 - 240V AC
D6DE 24V AC/DC 110V AC	24V AC/DC or 110V AC
D6DE 24V AC/DC 230V AC	24V AC/DC or 230V AC
D6DE 4MIN 12-240V AC/DC	12 - 60V AC/DC or 60 - 240V AC/DC
D6DET 40MIN 12-240V AC/DC	12 - 60V AC/DC or 60 - 240V AC/DC
D6DR 24V AC/DC 110V AC	24V AC/DC or 110V AC
D6DR 24V AC/DC 230V AC	24V AC/DC or 230V AC
D6A 3MIN 24-240V AC/DC	24 - 240V AC/DC
D6A 10MIN 24-240V AC/DC	24 - 240V AC/DC
D6D 24V AC/DC 110-240V AC	24V AC/DC or 110 - 240V AC
D6DS 24V AC/DC 110-240V AC	24V AC/DC or 110 - 240V AC
K3ZM20 12-240V AC/DC	12 - 240V AC/DC
K3ZM20P 12-240V AC/DC	12 - 240V AC/DC
K3ZS20 12-240V AC/DC	12 - 240V AC/DC
K3ZS20 12-240V AC/DC	12 - 240V AC/DC
K3ZA20 3min 24-240V AC/DC	24 - 240V AC/DC

### Technical Data Pages

1) Power module TR (AC) series and Switching power supply SNT (DC) series; 2) Lower power loss <1W

PDM20F 24V AC/DC 110-240V AC	24V AC/DC or 110 - 240V AC
PDM11 24V AC/DC 110-240V AC	24V AC/DC or 110 - 240V AC
PDIF20F 24V AC/DC 110-240V AC	24V AC/DC or 110 - 240V AC
E3ZM20 12-240V AC/DC	12 - 240V AC/DC
E3ZM10 12-240V AC/DC	12 - 240V AC/DC
E1ZM10 24-240V AC/DC	24 - 240V AC/DC
E1ZMW10 24-240V AC/DC	24 - 240V AC/DC
E1ZMQ10 24-240V AC/DC	24 - 240V AC/DC
E1ZE10 24-240V AC/DC	24 - 240V AC/DC
E1ZR10 24-240V AC/DC	24 - 240V AC/DC
E1ZIER10 24-240V AC/DC	24 - 240V AC/DC
E1Z10 12-240V AC/DC	12 - 240V AC/DC
E3Z20 12-240V AC/DC	12 - 240V AC/DC
E3ZS20 12-240V AC/DC	12 - 240V AC/DC
E1ZTPNC 230V AC	230V AC
E1ZTP 230V AC	230V AC
E1ZTN 230V AC	230V AC
FSM10 24V AC/DC	24V AC/DC
FSM10 100-240V AC	100 - 240V AC
COM3TP 24-240V AC/DC	24 - 240V AC/DC
SRE2-PNP 1SEC 24V DC	24V DC
SRE2-PNP 3SEC 24V DC	24V DC
SRE2-PNP 10SEC 24V DC	24V DC
SRE2-PNP 1MIN 24V DC	24V DC
SRE2-PNP 10MIN 24V DC	24V DC
SRE2-PNP 60MIN 24V DC	24V DC
SRW2-PNP 1SEC 24V DC	24V DC
SRW2-PNP 10SEC 24V DC	24V DC
SRW2-PNP 1MIN 24V DC	24V DC
SRW2-PNP 10MIN 24V DC	24V DC
SRW2-PNP 60MIN 24V DC	24V DC

### Functions

A OFF Delay without Auxiliary Voltage	
Bi Flasher pulse first	
Bp Flasher pause first	
E ON delay	
ER ON and OFF delay with control contact	
Es ON delay with control contact	
EWs ON delay and single shot leading edge with control contact	
EWu ON delay and single shot leading edge voltage controlled	
li Asymmetric flasher pulse first	
lp Asymmetric flasher pause first	
R OFF delay	
S Star-Delta start-up	
Wa Single shot trailing edge with control contact	
Ws Single shot leading edge with control contact	
WsWa Single shot leading and trailing edge with control contact	
Wt Pulse detection	
Wu Single shot leading edge voltage controlled	
nWa Maintained single shot trailing edge	
nWu Maintained single shot leading edge	
nWuWa Maintained single shot leading and single shot trailing	
Potential free control contact	
Number of remote potentiometer	1 1 1 1 1 1 1 1 1 1
Time Ranges	

### Outputs

1 CO contact	
2 CO contacts	
3 CO contacts	
1 Thyristor output	
1 Transistor output	
1 NO	
2 NO	
1 O	

### cULus - Certificates

#### Supply voltage

PDM20F 24V AC/DC 110-240V AC	24V AC/DC or 110 - 240V AC
PDM11 24V AC/DC 110-240V AC	24V AC/DC or 110 - 240V AC
PDIF20F 24V AC/DC 110-240V AC	24V AC/DC or 110 - 240V AC
E3ZM20 12-240V AC/DC	12 - 240V AC/DC
E3ZM10 12-240V AC/DC	12 - 240V AC/DC
E1ZM10 24-240V AC/DC	24 - 240V AC/DC
E1ZMW10 24-240V AC/DC	24 - 240V AC/DC
E1ZMQ10 24-240V AC/DC	24 - 240V AC/DC
E1ZE10 24-240V AC/DC	24 - 240V AC/DC
E1ZR10 24-240V AC/DC	24 - 240V AC/DC
E1ZIER10 24-240V AC/DC	24 - 240V AC/DC
E1Z10 12-240V AC/DC	12 - 240V AC/DC
E3Z20 12-240V AC/DC	12 - 240V AC/DC
E3ZS20 12-240V AC/DC	12 - 240V AC/DC
E1ZTPNC 230V AC	230V AC
E1ZTP 230V AC	230V AC
E1ZTN 230V AC	230V AC
FSM10 24V AC/DC	24V AC/DC
FSM10 100-240V AC	100 - 240V AC
COM3TP 24-240V AC/DC	24 - 240V AC/DC
SRE2-PNP 1SEC 24V DC	24V DC
SRE2-PNP 3SEC 24V DC	24V DC
SRE2-PNP 10SEC 24V DC	24V DC
SRE2-PNP 1MIN 24V DC	24V DC
SRE2-PNP 10MIN 24V DC	24V DC
SRE2-PNP 60MIN 24V DC	24V DC
SRW2-PNP 1SEC 24V DC	24V DC
SRW2-PNP 10SEC 24V DC	24V DC
SRW2-PNP 1MIN 24V DC	24V DC
SRW2-PNP 10MIN 24V DC	24V DC
SRW2-PNP 60MIN 24V DC	24V DC

### Technical Data Pages

1) Power module TR (AC) series and Switching power supply SNT (DC) series; 2) Lower power loss <1W

**A**  
OFF Delay without Auxiliary Voltage

**Bi**  
Flasher pulse first

**Bp**  
Flasher pause first

**R**  
OFF delay

**S**  
Star-Delta start-up

**T**  
Automatic timer without switch-off warning

**E**  
ON delay

**ER**  
ON and OFF delay with control contact

**Es**  
ON delay with control contact

**TW**  
Automatic timer with switch-off warning

**Wa**  
Single shot trailing edge with control contact

**Wi**  
Impulse switch with OFF delay

**EWs**  
ON delay and single shot leading edge with control contact

**EWu**  
ON delay and single shot leading edge voltage controlled

**li**  
Asymmetric flasher pulse first

**Ws**  
Single shot leading edge with control contact

**WsWa**  
Single shot leading and trailing edge with control contact

**Wt**  
Pulse detection

**lp**  
Asymmetric flasher pause first

**P**  
Impulse switch mode without time function

**PN**  
Impulse switch mode power fail latch

**Wu**  
Single shot leading edge voltage controlled

**nWa**  
Maintained single shot trailing edge

**nWuWa**  
Maintained single shot leading and trailing edge



## Time Relays Series GAMMA

Multifunction Timer



- Multifunction
- 16 time ranges (G2ZMF11); 7 time ranges (G2ZM20)
- Time setting by 2 or 3 controls for the selection of range and fine tuning
- Remote potentiometer optional (G2ZMF11)
- Supply voltage 12-240V AC/DC (G2ZM20)
- Supply voltage selectable via PowerModules, DC power supply or by zoom voltage
- 2 CO contacts (G2ZMF11: individual switching by functions with instantaneous contact)
- Width 22,5mm
- Industrial design

types

G2ZMF11 24-240V AC/DC

G2ZMF11

G2ZM20 12-240V AC/DC



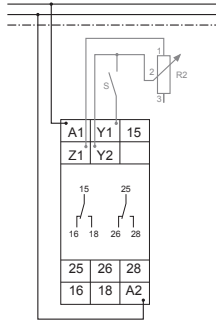
	120103	120100	120401
Art.No. (PQ1)	-	-	-
Art.No. (PQ10)	-	-	-
EAN13-Code	900866200026	900866200025	900866200031
Controls	Time • 11/20 • Function	Time • 11/20 • Function	Time • Function
Indicators (LEDs)	U/t • R	U/t • R	U/t • R
Functions	E11 • E20 R11 • R20 Es11 • Es20 Wu11 • Wu20 Ws11 • Ws20 Wa11 • Wa20 Bi11 • Bi20 Bp11 • Bp20	E11 • E20 R11 • R20 Es11 • Es20 Wu11 • Wu20 Ws11 • Ws20 Wa11 • Wa20 Bi11 • Bi20 Bp11 • Bp20	E R Es Wu Ws Wa Bi Bp
Inst. contact	selectable	selectable	-
2-time function	-	-	-
Time ranges	1 • 3 • 10 • 30s 1 • 3 • 10 • 30min 1 • 3 • 10 • 30h 1 • 3 • 10 • 30d	1 • 3 • 10 • 30s 1 • 3 • 10 • 30min 1 • 3 • 10 • 30h 1 • 3 • 10 • 30d	1 • 10s 1 • 10min 1 • 10 • 100h
Adjustment range	5% to 100%	5% to 100%	5% to 100%
Control input	terminals Y1-Y2 galvanic separated	terminals Y1-Y2 galvanic separated	terminals A1-B1 loadable
Remote potentiometer	1 (optional); Z1-Y2	1 (optional); Z1-Y2	-
Supply	24 to 240V AC/DC terminals A1-A2	PowerModulee TR2 or SNT2 terminals A1-A2	12 to 240V AC/DC terminals A1-A2
Output	2 CO contacts 250V, 5A AC	2 CO contacts 250V, 5A AC	2 CO contacts 250V, 5A AC
Width	22,5mm	22,5mm	22,5mm
Certificates	CE • cULus • GOST	CE • cULus • GOST	CE • cULus • GOST
Mechanical design	Self-extinguishing plastic housing, IP rating IP40 • Mounted on DIN-Rail TS 35 in accordance with EN 60715 • Mounting position any • Shockproof terminal connection according to VBG 4 (PZ1 required) • IP rating IP20 • Tightening torque max. 1Nm		
Terminal capacity	1 x 0,5 to 2,5mm <sup>2</sup> with/without multicore cable end • 1 x 4mm <sup>2</sup> without multicore cable end • 2 x 0,5 to 1,5mm <sup>2</sup> with/without multicore cable end • 2 x 2,5mm <sup>2</sup> flexible without multicore cable end		
Ambient conditions	Ambient temperature: -25 to 55°C (in accordance with IEC 60068-1); -25 to 40°C (in accordance with UL 508) • Storage temperature: -25 to +70°C • Transport temperature: -25 to +70°C • relative humidity: 15% to 85% (in accordance with IEC 60721-3-3 class 3K3) • Pollution degree: 3 (in accordance with IEC 60664-1) • Vibration resistance: 10 to 55Hz 0,35mm (in accordance with IEC 60068-2-6) • Shock resistance: 15g 11ms (in accordance with IEC 60068-2-27)		
Accessories	PowerModules TR2 (12 - 440V AC) • DC power supply SNT2 24V DC • Remote potentiometer R2 • sealable intervention protection shield FA-G2		

**G2ZMF11 and G2ZMF11 24-240V**  
 1 delayed contact (cl. 15-16-18) and 1 inst. contact (cl. 25-26-28)  
 E11 ON delay  
 R11 OFF delay with control contact  
 Es11 ON delay with control contact  
 Wu11 Single shot leading edge voltage controlled  
 Ws11 Single shot leading edge with control contact  
 Wa11 Single shot trailing edge with control contact  
 Bi11 Flasher pulse first  
 Bp11 Flasher pause first

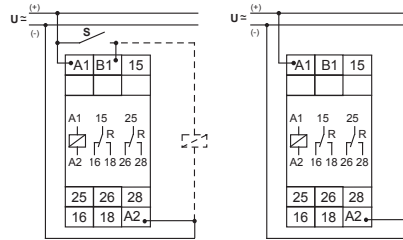
2 delayed contacts  
 E20 ON delay  
 R20 OFF delay with control contact  
 Es20 ON delay with control contact  
 Wu20 Single shot leading edge voltage controlled  
 Ws20 Single shot leading edge with control contact  
 Wa20 Single shot trailing edge with control contact  
 Bi20 Flasher pulse first  
 Bp20 Flasher pause first

**G2ZM20**  
 E ON delay  
 R OFF delay with control input  
 Es ON delay with control input  
 Wu Single shot leading edge voltage controlled  
 Ws Single shot leading edge with control input  
 Wa Single shot trailing edge with control input  
 Bi Flasher pulse first  
 Bp Flasher pause first

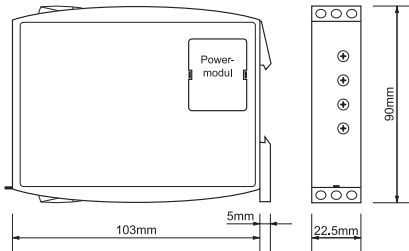
G2ZMF11; G2ZMF11 24-240V



G2ZM20



Width 22.5mm



Functions



Time Relays Serie **GAMMA**

Multifunction Timer

- Multifunction
- Off delay without auxiliary voltage
- Four time ranges
- Supply voltage can be selected via power module or zoom voltage
- 2 CO contacts
- Width 22,5mm
- Industrial design

Connections

types

G2ZA20 10min 24-240V AC/DC

G2ZA20 10min



Art.No. (PQ1)

120600

120601

Art.No. (PQ10)

-

-

EAN13-Code

Controls

Time • Function

Time • Function

Indicators (LEDs)

U

U

Functions

E • A • nWa • nWu • nWuWa

E • A • nWa • nWu • nWuWa

Inst. contact

-

-

2-time function

-

-

Time ranges

1 • 10s  
1 • 10min

1 • 10s  
1 • 10min

Adjustment range

5% to 100%

5% to 100%

Control input

-

-

Remote potentiometer

-

-

Supply

24 to 240V AC/DC  
terminals A1-A2

PowerModulee TR2 or SNT2  
terminals A1-A2

Output

2 CO contacts  
250V, 5AAC

2 CO contacts  
250V, 5AAC

Width

22.5mm

22.5mm

Certificates

CE • GOST

CE • GOST

Mechanical design

Self-extinguishing plastic housing, IP rating IP40 • Mounted on DIN-Rail TS 35 in accordance with EN 60715 • Mounting position any • Shockproof terminal connection according to VBG 4 (PZ1 required) • IP rating IP20 • Tightening torque max. 1Nm

Terminal capacity

1 x 0,5 to 2,5mm<sup>2</sup> with/without multicore cable end • 1 x 4mm<sup>2</sup> without multicore cable end • 2 x 0,5 to 1,5mm<sup>2</sup> with/without multicore cable end • 2 x 2,5mm<sup>2</sup> flexible without multicore cable end

Ambient conditions

Ambient temperature: -25 to 55°C (in accordance with IEC 60068-1); -25 to 40°C (in accordance with UL 508) • Storage temperature: -25 to +70°C • Transport temperature: -25 to +70°C • relative humidity: 15% to 85% (in accordance with IEC 60721-3-3 class 3K3) • Pollution degree: 3 (in accordance with IEC 60664-1) • Vibration resistance: 10 to 55Hz 0,35mm (in accordance with IEC 60068-2-6) • Shock resistance: 15g 11ms (in accordance with IEC 60068-2-27)

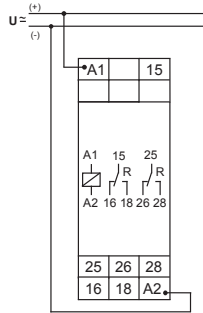
Accessories

PowerModules TR2 (12-440V AC) • DC power supply SNT2 24V DC • sealable intervention protection shield FA-G2

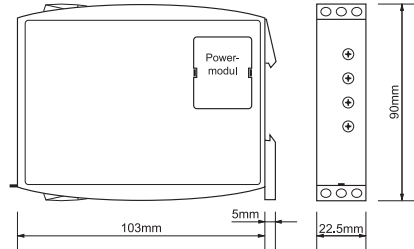


E On delay  
 A Off delay without auxiliary voltage  
 nWa Maintained single shot trailing edge  
 nWu Maintained single shot leading edge  
 nWuWa Maintained single shot leading and single shot trailing edge

G2ZA20



Width 22.5mm



Functions



Time Relays Series GAMMA

2-Time Multifunction Timer



- Multifunction
- 10 time ranges (G2ZIF20); 7 time ranges (G2ZI20)
- Remote potentiometer optional (G2ZIF20)
- Supply voltage 12-240V AC/DC (G2ZI20)
- Supply voltage selectable via PowerModules or by zoom voltage
- 2 CO contacts
- Width 22,5mm
- Industrial design

Connections

types

G2ZIF20 24-240V AC/DC

G2ZIF20

G2ZI20 12-240V AC/DC



Art.No. (PQ1)

120201

120200

120501

Art.No. (PQ10)

-

-

-

EAN13-Code

900866200028

900866200027

900866200032

Controls

Time1 • Time2 • Function

Time1 • Time2 • Function

Time1 • Time2 • Function

Indicators (LEDs)

U/t<sub>1</sub> • t<sub>2</sub> • R

U/t<sub>1</sub> • t<sub>2</sub> • R

U/t • R

Functions

Ip • li • ER • EWu • EWs • WsWa • Wt

Ip • li • ER • EWu • EWs • WsWa • Wt

Ip • li • ER • EWu • EWs • WsWa

Inst. contact

-

-

-

2-time function

yes

yes

yes

Time ranges

1 • 3 • 10 • 30s  
 1 • 3 • 10 • 30min  
 1 • 10h

1 • 3 • 10 • 30s  
 1 • 3 • 10 • 30min  
 1 • 10h

1 • 10s  
 1 • 10min  
 1 • 10 • 100h

Adjustment range

5% to 100%

5% to 100%

5% to 100%

Control input

terminals Y1-Y2  
 galvanic separated

terminals Y1-Y2  
 galvanic separated

terminals A1-B1  
 loadable

Remote potentiometer

Time1: terminals Z1-Y2  
 Time2: terminals Z2-Y2

Time1: terminals Z1-Y2  
 Time2: terminals Z2-Y2

-

Supply

24 to 240V AC/DC  
 terminals A1-A2

PowerModule TR2 or SNT2  
 terminals A1-A2

12 to 240V AC/DC  
 terminals A1-A2

Output

2 CO contacts  
 250V, 5A AC

2 CO contacts  
 250V, 5A AC

2 CO contacts  
 250V, 5A AC

Width

22,5mm

22,5mm

22,5mm

Certificates

CE • cULus • GOST

CE • cULus • GOST

CE • cULus • GOST

Mechanical design

Self-extinguishing plastic housing, IP rating IP40 • Mounted on DIN-Rail TS 35 in accordance with EN 60715 • Mounting position any • Shockproof terminal connection according to VBG 4 (PZ1 required) • IP rating IP20 • Tightening torque max. 1Nm

Terminal capacity

1 x 0,5 to 2,5mm<sup>2</sup> with/without multicore cable end • 1 x 4mm<sup>2</sup> without multicore cable end • 2 x 0,5 to 1,5mm<sup>2</sup> with/without multicore cable end • 2 x 2,5mm<sup>2</sup> flexible without multicore cable end

Ambient conditions

Ambient temperature: -25 to 55°C (in accordance with IEC 60068-1); -25 to 40°C (in accordance with UL 508) • Storage temperature: -25 to +70°C • Transport temperature: -25 to +70°C • relative humidity: 15% to 85% (in accordance with IEC 60721-3-3 class 3K3) • Pollution degree: 3 (in accordance with IEC 60664-1) • Vibration resistance: 10 to 55Hz 0,35mm (in accordance with IEC 60068-2-6) • Shock resistance: 15g 11ms (in accordance with IEC 60068-2-27)

Accessories

PowerModules TR2 (12 - 440V AC) • DC power supply SNT2 24V DC • Remote potentiometer RONDO R2 • sealable intervention protection shield FA-G2

Dimensions

Art.No. (PQ1)

120201

120200

120501

Art.No. (PQ10)

-

-

-

EAN13-Code

900866200028

900866200027

900866200032

Controls

Time1 • Time2 • Function

Time1 • Time2 • Function

Time1 • Time2 • Function

Indicators (LEDs)

U/t<sub>1</sub> • t<sub>2</sub> • R

U/t<sub>1</sub> • t<sub>2</sub> • R

U/t • R

Functions

Ip • li • ER • EWu • EWs • WsWa • Wt

Ip • li • ER • EWu • EWs • WsWa • Wt

Ip • li • ER • EWu • EWs • WsWa

Inst. contact

-

-

-

2-time function

yes

yes

yes

Time ranges

1 • 3 • 10 • 30s  
 1 • 3 • 10 • 30min  
 1 • 10h

1 • 3 • 10 • 30s  
 1 • 3 • 10 • 30min  
 1 • 10h

1 • 10s  
 1 • 10min  
 1 • 10 • 100h

Adjustment range

5% to 100%

5% to 100%

5% to 100%

Control input

terminals Y1-Y2  
 galvanic separated

terminals Y1-Y2  
 galvanic separated

terminals A1-B1  
 loadable

Remote potentiometer

Time1: terminals Z1-Y2  
 Time2: terminals Z2-Y2

Time1: terminals Z1-Y2  
 Time2: terminals Z2-Y2

-

Supply

24 to 240V AC/DC  
 terminals A1-A2

PowerModule TR2 or SNT2  
 terminals A1-A2

12 to 240V AC/DC  
 terminals A1-A2

Output

2 CO contacts  
 250V, 5A AC

2 CO contacts  
 250V, 5A AC

2 CO contacts  
 250V, 5A AC

Width

22,5mm

22,5mm

22,5mm

Certificates

CE • cULus • GOST

CE • cULus • GOST

CE • cULus • GOST

Mechanical design

Self-extinguishing plastic housing, IP rating IP40 • Mounted on DIN-Rail TS 35 in accordance with EN 60715 • Mounting position any • Shockproof terminal connection according to VBG 4 (PZ1 required) • IP rating IP20 • Tightening torque max. 1Nm

Terminal capacity

1 x 0,5 to 2,5mm<sup>2</sup> with/without multicore cable end • 1 x 4mm<sup>2</sup> without multicore cable end • 2 x 0,5 to 1,5mm<sup>2</sup> with/without multicore cable end • 2 x 2,5mm<sup>2</sup> flexible without multicore cable end

Ambient conditions

Ambient temperature: -25 to 55°C (in accordance with IEC 60068-1); -25 to 40°C (in accordance with UL 508) • Storage temperature: -25 to +70°C • Transport temperature: -25 to +70°C • relative humidity: 15% to 85% (in accordance with IEC 60721-3-3 class 3K3) • Pollution degree: 3 (in accordance with IEC 60664-1) • Vibration resistance: 10 to 55Hz 0,35mm (in accordance with IEC 60068-2-6) • Shock resistance: 15g 11ms (in accordance with IEC 60068-2-27)

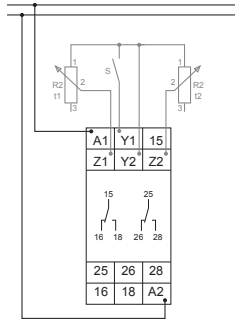
Accessories

PowerModules TR2 (12 - 440V AC) • DC power supply SNT2 24V DC • Remote potentiometer RONDO R2 • sealable intervention protection shield FA-G2

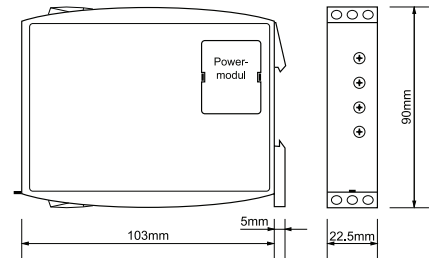
G2ZIF20	
Ip	Asymmetric flasher pause first
Ii	Asymmetric flasher pulse first
ER	ON delay and OFF delay with control contact
EWu	ON delay single shot leading edge voltage controlled
EWs	ON delay single shot leading edge with control contact
WsWa	Single shot leading and single shot trailing edge with control contact
Wt	Pulse sequence monitoring

G2ZI20	
Ip	Asymmetric flasher pause first
Ii	Asymmetric flasher pulse first
ER	ON delay and OFF delay with control contact
EWu	ON delay single shot leading edge voltage controlled
EWs	ON delay single shot leading edge with control contact
WsWa	Single shot leading and single shot trailing edge with control contact

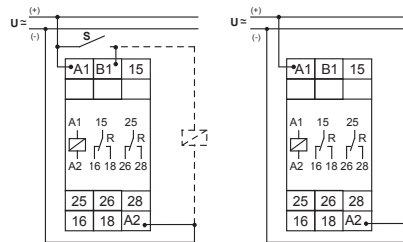
G2ZIF20; G2ZIF20 24-240V



Width 22,5mm



G2ZI20 12-240VAC/DC



Functions



Time Relays Series GAMMA

Singlefunction Timer

- ON delay
- 16 time ranges
- Supply voltage 400V AC
- 1 CO contact
- Width 22,5mm
- Industrial design



Connections

types

G2ZE10 400V AC



Art.No. (PQ1)	120104
Art.No. (PQ10)	-
EAN13-Code	9008662005440
Controls	Time
Indicators (LEDs)	U/t • R
Functions	E
Inst. contact	-
2-time function	-
Time ranges	1 • 3 • 10 • 30s 1 • 3 • 10 • 30min 1 • 3 • 10 • 30h 1 • 3 • 10 • 30d
Adjustment range	5% to 100%
Control input	-
Remote potentiometer	-
Supply	400V AC terminals A1-A2
Output	1 CO contact 250V, 5A AC
Width	22,5mm
Certificates	CE • cULus • GOST
Mechanical design	Self-extinguishing plastic housing, IP rating IP40 • Mounted on DIN-Rail TS 35 in accordance with EN 60715 • Mounting position any • Shockproof terminal connection according to VBG 4 (PZ1 required), IP rating IP20 • Tightening torque max. 1Nm
Terminal capacity	1 x 0,5 to 2,5mm <sup>2</sup> with/without multicore cable end • 1 x 4mm <sup>2</sup> without multicore cable end • 2 x 0,5 to 1,5mm <sup>2</sup> with/without multicore cable end • 2 x 2,5mm <sup>2</sup> flexible without multicore cable end
Ambient conditions	Ambient temperature: -25 to 55°C (in accordance with IEC 60068-1); -25 to 40°C (in accordance with UL 508) • Storage temperature: -25 to +70°C • Transport temperature: -25 to +70°C • relative humidity: 15% to 85% (in accordance with IEC 60721-3-3 class 3K3) • Pollution degree: 3 (in accordance with IEC 60664-1) • Vibration resistance: 10 to 55Hz 0,35mm (in accordance with IEC 60068-2-6) • Shock resistance: 15g 11ms (in accordance with IEC 60068-2-27)
Accessories	Sealable intervention protection shield FA-G2

Dimensions



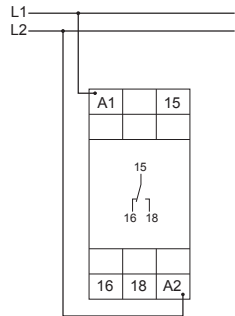
## Time Relays Series GAMMA

Star-Delta Timer

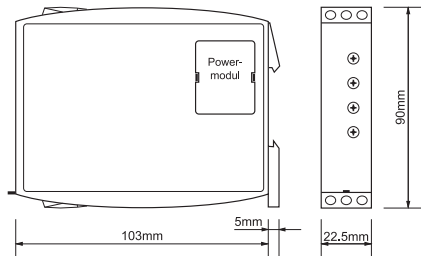


- Star-Delta start-up
- 4 time ranges (star-time)
- Transit time selectable
- Supply voltage via PowerModules or DC power supply by zoom voltage 24 to 240V AC/DC
- 2 CO contacts
- Width 22,5mm
- Industrial design

G2ZE10 400VAC



Width 22.5mm



Connections

types

G2ZS20 24-240V AC/DC

G2ZS20



Art.No. (PQ1)	120301	120300
Art.No. (PQ10)	-	-
EAN13-Code	900866200030	900866200029
Controls	Time Y • Time Y → Δ	Time Y • Time Y → Δ
Indicators (LEDs)	U/ty • R	U/ty • R
Functions	S	S
Inst. contact	-	-
2-time function	-	-
Time ranges	Time Y: 10s • 30s • 1min • 3min Time Y → Δ: 40ms • 60ms • 80ms • 100ms	Time Y: 10s • 30s • 1min • 3min Time Y → Δ: 40ms • 60ms • 80ms • 100ms
Adjustment range	5% to 100% (TimeY)	5% to 100% (TimeY)
Control input	-	-
Supply	24 to 240V AC/DC terminals A1-A2	PowerModule TR2 or SNT2 terminals A1-A2
Output	2 CO contacts 250V, 5AAC	2 CO contacts 250V, 5AAC
Width	22.5mm	22.5mm
Certificates	CE • cULus • GOST	CE • cULus • GOST
Mechanical design	Self-extinguishing plastic housing, IP rating IP40 • Mounted on DIN-Rail TS 35 in accordance with EN 60715 • Mounting position any • Shockproof terminal connection according to VBG 4 (PZ1 required) • IP rating IP20 • Tightening torque max. 1Nm	
Terminal capacity	1 x 0,5 to 2,5mm <sup>2</sup> with/without multicore cable end • 1 x 4mm <sup>2</sup> without multicore cable end • 2 x 0,5 to 1,5mm <sup>2</sup> with/without multicore cable end • 2 x 2,5mm <sup>2</sup> flexible without multicore cable end	
Ambient conditions	Ambient temperature: -25 to 55°C (in accordance with IEC 60068-1); -25 to 40°C (in accordance with UL 508) • Storage temperature: -25 to +70°C • Transport temperature: -25 to +70°C • relative humidity: 15% to 85% (in accordance with IEC 60721-3-3 class 3K3) • Pollution degree: 3 (in accordance with IEC 60664-1) • Vibration resistance: 10 to 55Hz 0,35mm (in accordance with IEC 60068-2-6) • Shock resistance: 15g 11ms (in accordance with IEC 60068-2-27)	
Accessories	PowerModules TR2 (12 - 440V AC) • DC power supply SNT2 24VDC • sealable intervention protection shield FA-G2	

Dimensions

Indicators (LEDs)

Functions

Inst. contact

2-time function

Time ranges

Adjustment range

Control input

Supply

Output

Width

Certificates

Mechanical design

Terminal capacity

Ambient conditions

Accessories





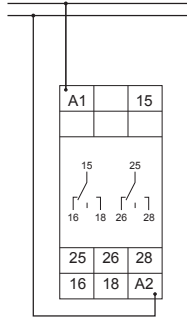
## Time Relays Series DELTA

Multifunction Timer

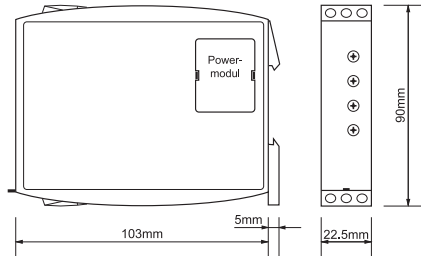
- Multifunction
- 8 time ranges
- Supply voltage through zoom voltage 12 to 240V AC/DC (D6M); dualvoltage (D6DM; D6DQ)
- 1 CO contact
- Width 22,5mm
- Industrial design



G2ZS20; G2ZS20 24-240V



Width 22,5mm



Connections

types

D6M 12-240V AC/DC

D6DM  
24V AC/DC 110-240V AC

D6DQ  
24V AC/DC 110-240V AC



Art.No. (PQ1)

234002

234000

234010

Art.No. (PQ10)

-

-

-

EAN13-Code

900866200130

900866200127

900866200134

Controls

Time • Function

Time • Function

Time • Function

Indicators (LEDs)

U/t • R

U/t • R

U/t • R

Functions

E • R • Ws • Wa • Es • Wu • Bp • Wt

E • R • Ws • Wa • Es • Wu • Bp • Wt

E • R • Wu • Bp

Inst. contact

-

-

-

2-time function

-

-

-

Time ranges

1 • 10s  
1 • 10min  
1 • 10h  
1 • 10d

1 • 10s  
1 • 10min  
1 • 10h  
1 • 10d

1 • 10s  
1 • 10min  
1 • 10h  
1 • 10d

Adjustment range

5% to 100%

5% to 100%

5% to 100%

Control input

terminals A1-B1  
loadable

terminals A1-B1  
loadable

terminals A1-B1  
loadable

Remote potentiometer

-

-

-

Supply

12 to 240V AC/DC  
terminals A1-A2

switchable  
24V AC/DC or  
110 to 240V AC  
terminals A1-A2

switchable  
24V AC/DC or  
110 to 240V AC  
terminals A1-A2

Output

1 CO contact  
250V, 5A AC

1 CO contact  
250V, 5A AC

1 CO contact  
250V, 5A AC

Width

22,5mm

22,5mm

22,5mm

Certificates

CE • cULus • GOST

CE • cULus • GOST

CE • cULus • GOST

Mechanical design

Self-extinguishing plastic housing, IP rating IP40 • Mounted on DIN-Rail TS 35 in accordance with EN 60715 • Mounting position any • Shockproof terminal connection according to VBG 4 (PZ1 required), IP rating IP20 • Tightening torque max. 1Nm

Terminal capacity

1 x 0,5 to 2,5mm<sup>2</sup> with/without multicore cable end • 1 x 4mm<sup>2</sup> without multicore cable end • 2 x 0,5 to 1,5mm<sup>2</sup> with/without multicore cable end • 2 x 2,5mm<sup>2</sup> flexible without multicore cable end

Ambient conditions

Ambient temperature: -25 to 55°C (in accordance with IEC 60068-1); -25 to 40°C (in accordance with UL 508) • Storage temperature: -25 to +70°C • Transport temperature: -25 to +70°C • relative humidity: 15% to 85% (in accordance with IEC 60721-3-3 class 3K3) • Pollution degree: 3 (in accordance with IEC 60664-1)

Accessories

-

Dimensions

Indicators (LEDs)

Functions

Inst. contact

2-time function

Time ranges

Adjustment range

Control input

Remote potentiometer

Supply

Output

Width

Certificates

Mechanical design

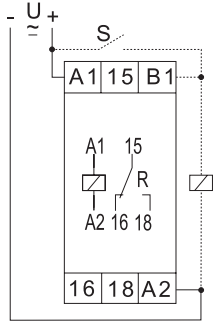
Terminal capacity

Ambient conditions

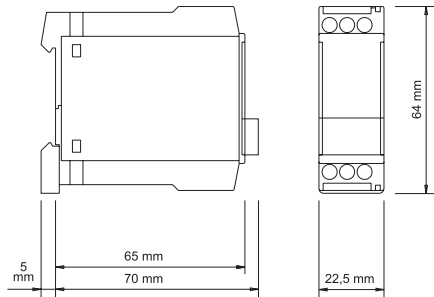
Accessories

- E ON delay
- R OFF delay with control contact
- Ws Single shot leading edge with control contact
- Wa Single shot trailing edge with control contact
- Es ON delay with control contact
- Wu Single shot leading edge voltage controlled
- Bp Flasher pause first
- Wt Pulse detection

D6M; D6DM; D6DQ



Width 22.5mm



Functions



## Time Relays Series DELTA

Singlefunction Timer



- ON delay (D6DE)
- ON delay two wire connection (D6DET)
- 8 time ranges (D6DE)
- 4 time ranges (D6DET)
- Dualvoltage
- 1 CO contact (D6DE)
- 1 Thyristor (D6DET)
- Width 22,5mm
- Industrial design

Connections

types D6DE 24V AC/DC 110V AC D6DE 24V AC/DC 230V AC D6DET 4MIN 12-240V AC/DC D6DET 40MIN 12-240V AC/DC



	D6DE 24V AC/DC 110V AC	D6DE 24V AC/DC 230V AC	D6DET 4MIN 12-240V AC/DC	D6DET 40MIN 12-240V AC/DC
Art.No. (PQ1)	234051	234050	234090	234091
Art.No. (PQ10)	-	-	-	-
EAN13-Code	900866200137	900866200136	900866200145	900866200146
Controls	Time	Time	Time	Time
Indicators (LEDs)	U/t • R	U/t • R	U/t • R	-
Functions	E	E	E	E
Inst. contact	-	-	-	-
2-time function	-	-	-	-
Time ranges	1 • 10s 1 • 10min 1 • 10h 1 • 10d	1 • 10s 1 • 10min 1 • 10h 1 • 10d	1 • 4s • 30s 4min	10 • 40s 5 • 40min
Adjustment range	5% to 100%	5% to 100%	5% to 100%	5% to 100%
Control input	-	-	-	-
Remote potentiometer	-	-	-	-
Supply	switchable 24V AC/DC or 110V AC terminals A1-A2	switchable 24V AC/DC or 230V AC terminals A1-A2	selectable through wire link 12 to 60V AC/DC or 60 to 240V AC terminals A1-A2	selectable through wire link 12 to 60V AC/DC or 60 to 240V AC terminals A1-A2
Output	1 CO contact 250V, 5A AC	1 CO contact 250V, 5A AC	1 Thyristor 250V, 10 to 500mA AC	1 Thyristor 250V, 10 to 500mA AC
Width	22,5mm	22,5mm	22,5mm	22,5mm
Certificates	CE • cULus • GOST	CE • cULus • GOST	CE • GOST	CE • GOST
Mechanical design	Self-extinguishing plastic housing, IP rating IP40 • Mounted on DIN-Rail TS 35 in accordance with EN 60715 • Mounting position any • Shockproof terminal connection according to VBG 4 (PZ1 required), IP rating IP20 • Tightening torque max. 1Nm			
Terminal capacity	1 x 0,5 to 2,5mm <sup>2</sup> with/without multicore cable end • 1 x 4mm <sup>2</sup> without multicore cable end • 2 x 0,5 to 1,5mm <sup>2</sup> with/without multicore cable end • 2 x 2,5mm <sup>2</sup> flexible without multicore cable end			
Ambient conditions	Ambient temperature: -25 to 55°C (in accordance with IEC 60068-1); -25 to 40°C (in accordance with UL 508) • Storage temperature: -25 to +70°C • Transport temperature: -25 to +70°C • relative humidity: 15% to 85% (in accordance with IEC 60721-3-3 class 3K3) • Pollution degree: 3 (in accordance with IEC 60664-1)			
Accessories	-			

Dimensions



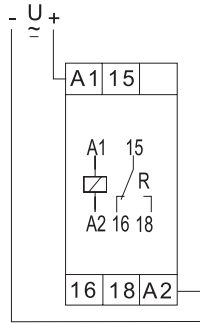
## Time Relays Series DELTA

Singlefunction Timer



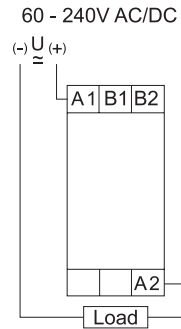
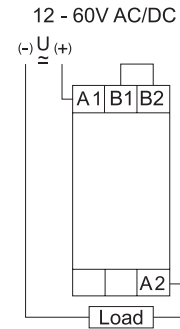
- OFF delay with control contact (D6DR)
- OFF delay without auxiliary voltage (D6A)
- 8 time ranges (D6DR)
- 4 time ranges (D6A)
- Dualvoltage (D6DR); zoom voltage (D6A)
- 1 CO contact
- Width 22,5mm
- Industrial design

D6DE

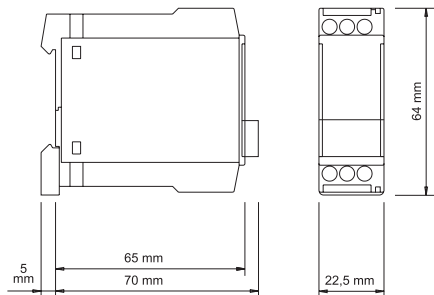


D6DET 12-60V AC/DC

D6DET 60-240V AC/DC



Width 22,5mm



Connections

types

D6DR 24V AC/DC 110V AC

D6DR 24V AC/DC 230V AC

D6A  
3MIN 24-240V AC/DC

D6A  
10MIN 24-240V AC/DC



Art.No. (PQ1)

234061

234060

234007

234008

Art.No. (PQ10)

-

-

-

-

EAN13-Code

900866200140

900866200139

9008662005754

9008662005976

Controls

Time

Time

Time

Time

Indicators (LEDs)

U/t • R

U/t • R

U

U

Functions

R

R

A

A

Inst. contact

-

-

-

-

2-time function

-

-

-

-

Time ranges

1 • 10s  
1 • 10min  
1 • 10h  
1 • 10d

1 • 10s  
1 • 10min  
1 • 10h  
1 • 10d

1 • 10s  
1 • 3min

1 • 10s  
1 • 10min

Adjustment range

5% to 100%

5% to 100%

10% to 100%

10% to 100%

Control input

terminals A1-B1  
loadable

terminals A1-B1  
loadable

-

-

Remote potentiometer

-

-

-

-

Supply

switchable  
24V AC/DC or  
110V AC  
terminals A1-A2

switchable  
24V AC/DC or  
230V AC  
terminals A1-A2

24-240V AC/DC  
terminals A1-A2

24-240V AC/DC  
terminals A1-A2

Output

1 CO contact  
250V, 5A AC

1 CO contact  
250V, 5A AC

1 CO contact  
250V, 5A AC

1 CO contact  
250V, 5A AC

Width

22,5mm

22,5mm

22,5mm

22,5mm

Certificates

CE • cULus • GOST

CE • cULus • GOST

CE • GOST

CE • GOST

Mechanical design

Self-extinguishing plastic housing, IP rating IP40 • Mounted on DIN-Rail TS 35 in accordance with EN 60715 • Mounting position any • Shockproof terminal connection according to VBG 4 (PZ1 required), IP rating IP20 • Tightening torque max. 1Nm

Terminal capacity

1 x 0,5 to 2,5mm<sup>2</sup> with/without multicore cable end • 1 x 4mm<sup>2</sup> without multicore cable end • 2 x 0,5 to 1,5mm<sup>2</sup> with/without multicore cable end • 2 x 2,5mm<sup>2</sup> flexible without multicore cable end

Ambient conditions

Ambient temperature: -25 to 55°C (in accordance with IEC 60068-1); -25 to 40°C (in accordance with UL 508) • Storage temperature: -25 to +70°C • Transport temperature: -25 to +70°C • relative humidity: 15% to 85% (in accordance with IEC 60721-3-3 class 3K3) • Pollution degree: 3 (in accordance with IEC 60664-1)

Accessories

-

Connections

Indicators (LEDs)

Functions

Inst. contact

2-time function

Time ranges

Adjustment range

Control input

Remote potentiometer

Supply

Output

Width

Certificates

Mechanical design

Terminal capacity

Ambient conditions

Accessories

- R OFF delay with control contact
- A OFF delay without auxiliary voltage

Functions



## Time Relays Series DELTA

2-Time Multifunction Timer

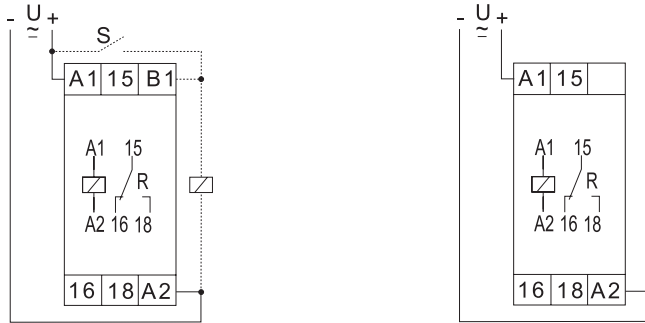


- Asymmetric flasher
- 2-time function
- 8 time ranges
- Dualvoltage
- 1 CO contact
- Width 22,5mm
- Industrial design

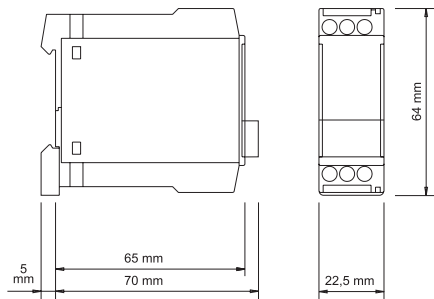
Connections

D6DR

D6A



Width 22,5mm



Dimensions

types

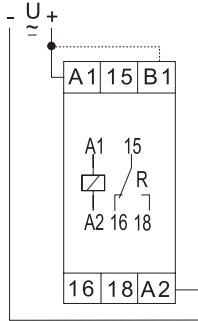
D6DI 24V AC/DC 110-240V AC



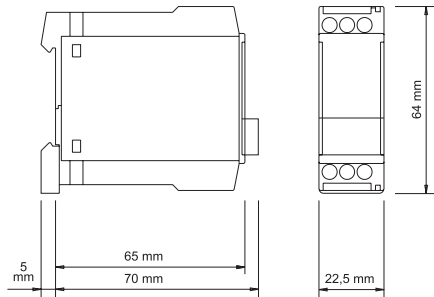
Art.No. (PQ1)	234011
Art.No. (PQ10)	-
EAN13-Code	900866200135
Controls	Time1 • Time2
Indicators (LEDs)	U/t • R
Functions	Ip • li (with wire link A1-B1)
Inst. contact	-
2-time function	yes
Time ranges	1 • 10s 1 • 10min 1 • 10h 1 • 10d
Adjustment range	5% to 100%
Control input	-
Remote potentiometer	-
Supply	switchable 24V AC/DC or 110 to 240V AC terminals A1-A2
Output	1 CO contact 250V, 5A AC
Width	22,5mm
Certificates	CE • cULus • GOST
Mechanical design	Self-extinguishing plastic housing, IP rating IP40 • Mounted on DIN-Rail TS 35 in accordance with EN 60715 • Mounting position any • Shockproof terminal connection according to VBG 4 (PZ1 required), IP rating IP20 • Tightening torque max. 1Nm
Terminal capacity	1 x 0,5 to 2,5mm <sup>2</sup> with/without multicore cable end • 1 x 4mm <sup>2</sup> without multicore cable end • 2 x 0,5 to 1,5mm <sup>2</sup> with/without multicore cable end • 2 x 2,5mm <sup>2</sup> flexible without multicore cable end
Ambient conditions	Ambient temperature: -25 to 55°C (in accordance with IEC 60068-1); -25 to 40°C (in accordance with UL 508) • Storage temperature: -25 to +70°C • Transport temperature: -25 to +70°C • relative humidity: 15% to 85% (in accordance with IEC 60721-3-3 class 3K3) • Pollution degree: 3 (in accordance with IEC 60664-1)
Accessories	-

- Ip Asymmetric flasher pause first
- Ii Asymmetric flasher pulse first (with wire link A1-B1)

D6DI



Width 22.5mm



Functions



Time Relays Series DELTA

Star-Delta Timer

- Star-Delta start-up
- 4 time ranges
- Dualvoltage
- 2 NO contacts
- Width 22,5mm
- Industrial design



Connections

types

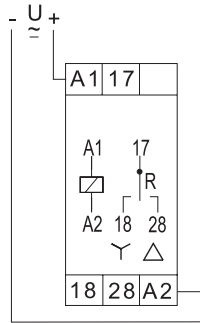
D6DS 24V AC/DC 110-240V AC



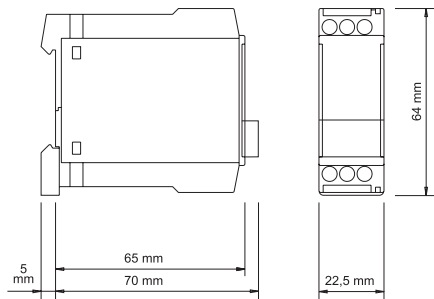
Art.No. (PQ1)	234070
Art.No. (PQ10)	-
EAN13-Code	900866200141
Controls	Time Y • Time Y → Δ
Indicators (LEDs)	U • R
Functions	S
Inst. contact	-
2-time function	-
Time ranges	Time Y: 10s • 30s • 1min • 3min Time Y → Δ: 40ms • 60ms • 80ms • 100ms
Adjustment range	5% to 100% (TimeY)
Control input	-
Supply	switchable 24V AC/DC or 110 to 240V AC terminals A1-A2
Output	2 NO contacts 250V, 8AAC
Width	22,5mm
Certificates	CE • cULus • GOST
Mechanical design	Self-extinguishing plastic housing, IP rating IP40 • Mounted on DIN-Rail TS 35 in accordance with EN 60715 • Mounting position any • Shockproof terminal connection according to VBG 4 (PZ1 required), IP rating IP20 • Tightening torque max. 1Nm
Terminal capacity	1 x 0,5 to 2,5mm <sup>2</sup> with/without multicore cable end • 1 x 4mm <sup>2</sup> without multicore cable end • 2 x 0,5 to 1,5mm <sup>2</sup> with/without multicore cable end • 2 x 2,5mm <sup>2</sup> flexible without multicore cable end
Ambient conditions	Ambient temperature: -25 to 55°C (in accordance with IEC 60068-1); -25 to 40°C (in accordance with UL 508) • Storage temperature: -25 to +70°C • Transport temperature: -25 to +70°C • relative humidity: 15% to 85% (in accordance with IEC 60721-3-3 class 3K3) • Pollution degree: 3 (in accordance with IEC 60664-1)
Accessories	-

Dimensions

D6DS



Width 22.5mm



Functions



Time Relays Series KAPPA

Multifunction Timer

- Multifunction (K3ZM, K3ZA20)
- 2-Time Multifunction Timer (K3ZI20)
- Start-Delta start-up (K3ZS20)
- 7 time ranges (K3ZM and K3ZI20)
- 4 time ranges (K3ZS20, K3ZA20)
- Supply voltage through zoom voltage 12 to 240V AC/DC or 24 to 240V AC/DC
- 2 CO contacts
- Width 38mm
- Plug-in mounting



Connections

types	K3ZM20 12-240V AC/DC	K3ZM20P 12-240V AC/DC	K3ZI20 12-240V AC/DC	K3ZS20 12-240V AC/DC	K3ZA20 24-240V AC/DC
-------	-------------------------	--------------------------	----------------------	----------------------	----------------------



	135100	135200	135101	135300	135400
Art.No. (PQ1)	-	-	-	-	-
Art.No. (PQ10)	-	-	-	-	-
EAN13-Code	9008662005914	9008662006492	9008662005921	9008662005938	9008662006133
Controls	Time • Function	Time • Function	Time 1 • Time 2 • Function	Time Y • Time Y → Δ	Time • Function
Indicators (LEDs)	U/t • R	U/t • R	U/t • R	U/t • R	U
Functions	E • R • Es • Wa • Es • Wu • Bp	E • R • Es • Wa • Es • Wu • Bp	lp • li • ER • EWu • EWs • WsWa • Wt	S	E • A • nWa • nWu • nWuWa
Inst. contact	-	-	-	-	-
2-time function	-	-	yes	-	-
Time ranges	1 • 10s 1 • 10min 1 • 10h • 100h	1 • 10s 1 • 10min 1 • 10h • 100h	1 • 10s 1 • 10min 1 • 10h • 100h	Time Y: 10s • 30s • 1min • 3min Time Y → Δ: 40ms • 60ms • 80ms • 100ms	1 • 10s 1 • 3min
Adjustment range	5% to 100%	5% to 100%	5% to 100%	5% to 100% (Time Y)	5% to 100%
Control input	pins S2-S5 loadable	pins S5-S6 Not potential free Potential free control	pins S2-S5 loadable	-	-
Remote potentiometer	-	-	-	-	-
Supply	12 to 240V AC/DC pins S2-S10	12 to 240V AC/DC pins S2-S10	12 to 240V AC/DC pins S2-S10	12 to 240V AC/DC pins S2-S10	24 to 240V AC/DC pins S2-S10
Output	2 CO 250V, 8A AC	2 CO 250V, 8A AC	2 CO 250V, 8A AC	2 CO 250V, 8A AC	2 CO 250V, 8A AC
Width	38mm	38mm	38mm	38mm	38mm
Certificates	CE	CE	CE	CE	CE
Mechanical design	Self-extinguishing plastic housing, IP rating IP40 • Mounted on 11-pole screw terminal socket in accordance with IEC 60067-1-18a • Mounting position: any				
Ambient conditions	Ambient temperature: -25 to +55°C • Storage temperature: -25 to +70°C • Transport temperature: -25 to +70°C • Relative humidity: 15% to 85% (in accordance with IEC 60721-3-3 class 3K3) • Pollution degree: 2, if built in 3 (in accordance with IEC 60664-1)				
Accessories	Relay socket R11X, PF-113BEIM				



## Time Relays Series PLUS

Multifunction Timer

- Multifunction
- 8 to 16 time ranges
- Remote potentiometer for time setting required (PDM20F; PDI20F)
- 1 CO contact and 1 NO contact (PDM20F)
- 2 CO contacts (PDM11)
- 1 normally closed contact and 1 normally open contact
- Width 38mm
- Cap size 45mm
- Plug-in mounting

### K3ZM20

E ON delay  
R OFF delay with control contact  
Ws Single shot leading edge with control contact  
Wa Single shot trailing edge with control contact  
Es ON delay with control contact  
Wu Single shot leading edge voltage controlled  
Bp Flasher pause first

### K3ZA20

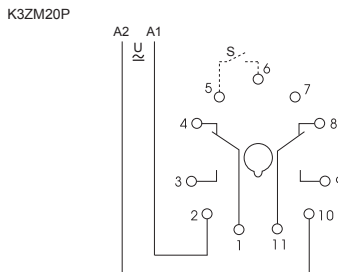
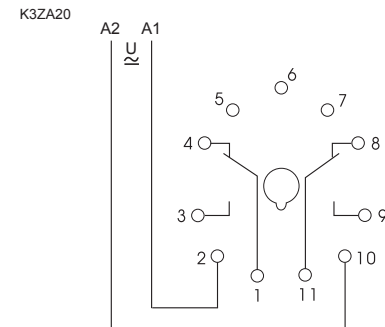
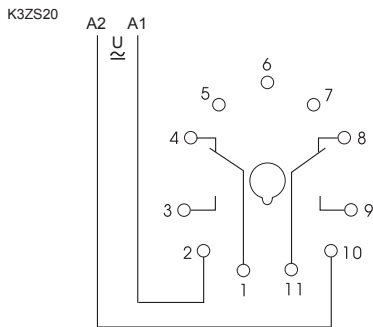
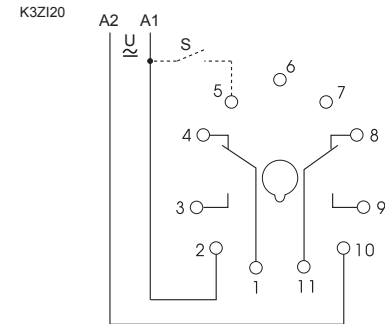
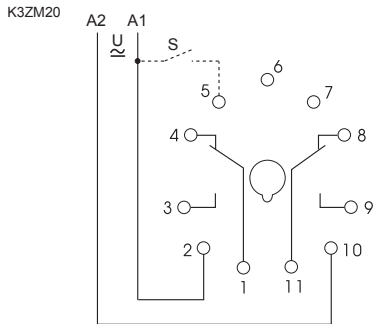
E - ON delay  
A - Off delay without auxiliary voltage  
nWa - Maintained single shot trailing edge  
nWu - Maintained single shot leading edge  
nWuWa - Maintained single shot leading and single shot trailing edge

### K3ZI20

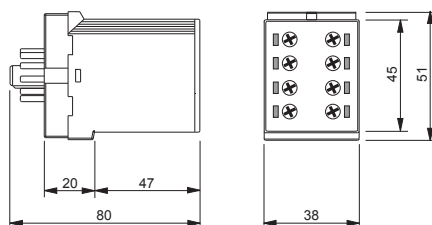
Ip Asymmetric flasher pause first  
Ii Asymmetric flasher pulse first (with wire link A1-B1)  
ER ON delay and OFF delay with control contact  
EWu ON delay single shot leading edge voltage controlled  
EWs ON delay single shot leading edge with control contact  
WsWa Single shot leading and single shot trailing edge with control contact  
Wt Pulse sequence monitoring

### K3ZS20

S Star-Delta start-up



Width 38mm



### Functions

### Connections

### Connections

### Dimensions



types

PDM20F  
24VAC/DC 110-240VAC

PDM11  
24VAC/DC 110-240VAC

PDI20F  
24VAC/DC 110-240VAC



Art.No. (PQ1)

Art.No. (PQ10)

EAN13-Code

Controls

Indicators (LEDs)

Functions

Inst. contact

2-time function

Time ranges

Adjustment range

Control input

Remote potentiometer

Supply

Output

Width

Certificates

Mechanical design

Ambient conditions

Accessories

236003

-

900866200194

Time • Function

U/t • R

E  
R  
Ws  
Wa  
Es  
Wu  
Bp  
Wt

-

-

1 • 10sec  
1 • 10min  
1 • 10h  
1 • 10d

5% to 100%

pins S2-S5 loadable

pins S6-S8

selectable via pins  
24V AC/DC (S2-S7)  
110 to 240V AC (S2-S10)

1 CO contact and  
1 NO contact  
250V, 8AAC

38mm

CE • GOST

Self-extinguishing plastic housing, IP rating IP40 • Connection and mounting by 11-pin socket in accordance with IEC 60067-1-18a • Mounting position: any

Ambient temperature: -25 to 55°C (in accordance with IEC 60068-1); -25 to 40°C (in accordance with UL 508) • Storage temperature: -25 to +70°C • Transport temperature: -25 to +70°C • relative humidity: 15% to 85% (in accordance with IEC 60721-3-3 class 3K3) • Pollution degree: 3 (in accordance with IEC 60664-1)

Relay socket R11X, PF-113BEIM; Remote potentiometer RONDO R2 (1Ω)

236100

-

900866200201

Time • Function

U/t • R

E11 • E20  
R11 • R20  
Ws11 • Ws20  
Wa11 • Wa20  
Es11 • Es20  
Wu11 • Wu20  
Bp11 • Bp20  
Wt11 • Wt20

selectable

-

1 • 3 • 10 • 30sec  
1 • 3 • 10 • 30min  
1 • 3 • 10 • 30h  
1 • 3 • 10 • 30d

5% to 100%

pins S2-S5 loadable

-

selectable via pins  
24V AC/DC (S2-S7)  
110 to 240V AC (S2-S10)

2 CO contacts  
250V, 8AAC

38mm

CE • GOST

Self-extinguishing plastic housing, IP rating IP40 • Connection and mounting by 11-pin socket in accordance with IEC 60067-1-18a • Mounting position: any

Ambient temperature: -25 to 55°C (in accordance with IEC 60068-1); -25 to 40°C (in accordance with UL 508) • Storage temperature: -25 to +70°C • Transport temperature: -25 to +70°C • relative humidity: 15% to 85% (in accordance with IEC 60721-3-3 class 3K3) • Pollution degree: 3 (in accordance with IEC 60664-1)

Relay socket R11X, PF-113BEIM; Remote potentiometer RONDO R2 (1Ω)

236011

-

900866200198

Time1 • Time2 • Function

U/t • R

Ip  
Ii  
ER  
EWs  
EWu

-

yes

1 • 10sec  
1 • 10min  
1 • 10h  
1 • 10d

5% to 100%

pins S2-S5 loadable

Time1: pins S3-S6  
Time2: pins S6-S8

selectable via pins  
24V AC/DC (S2-S7)  
110 to 240V AC (S2-S10)

1 CO contact and  
1 NO contact  
250V, 8AAC

38mm

CE • GOST

Self-extinguishing plastic housing, IP rating IP40 • Connection and mounting by 11-pin socket in accordance with IEC 60067-1-18a • Mounting position: any

Ambient temperature: -25 to 55°C (in accordance with IEC 60068-1); -25 to 40°C (in accordance with UL 508) • Storage temperature: -25 to +70°C • Transport temperature: -25 to +70°C • relative humidity: 15% to 85% (in accordance with IEC 60721-3-3 class 3K3) • Pollution degree: 3 (in accordance with IEC 60664-1)

Relay socket R11X, PF-113BEIM; Remote potentiometer RONDO R2 (1Ω)

**PDM20; PDM20F; PDM10**

E On delay  
 R OFF delay with control contact  
 Ws Single shot leading edge with control contact  
 Wa Single shot trailing edge with control contact  
 Es ON delay with control contact  
 Wu Single shot leading edge voltage controlled  
 Bp Flasher pause first  
 Wt Pulse sequence monitoring

**PDI20F**

Ip Asymmetric flasher pause first  
 Ii Asymmetric flasher pulse first  
 ER On delay and off delay with control input  
 EWs On delay and single shot leading edge with control input  
 EWu On delay and single shot leading edge voltage controlled

**PDM11**

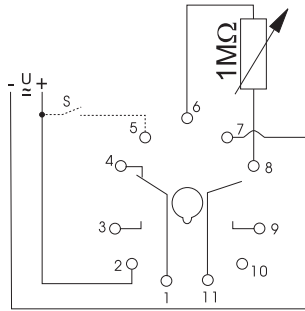
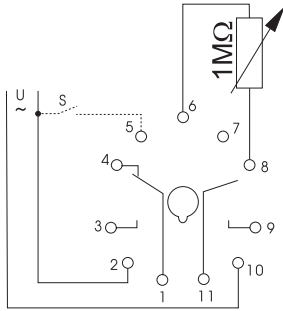
1 delayed contact (S1-S3-S4) and 1 instantaneous contact (S8-S9-S11)  
 E11 ON delay  
 R11 OFF delay with control contact  
 Ws11 Single shot leading edge with control contact  
 Wa11 Single shot trailing edge with control contact  
 Es11 ON delay with control contact  
 Wu11 Single shot leading edge voltage controlled  
 Bp11 Flasher pause first  
 Wt11 Pulse sequence monitoring

**2 delayed contacts**

E20 ON delay  
 R20 OFF delay with control contact  
 Ws20 Single shot leading edge with control contact  
 Wa20 Single shot trailing edge with control contact  
 Es20 ON delay with control contact  
 Wu20 Single shot leading edge voltage controlled  
 Bp20 Flasher pause first  
 Wt20 Pulse sequence monitoring

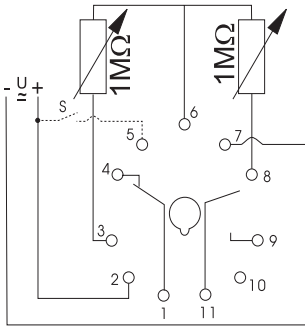
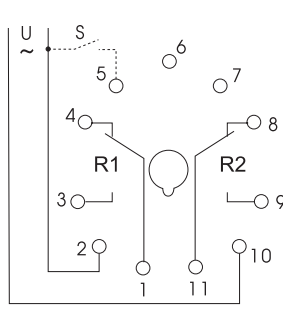
PDM20F (110-240V~)

PDM20F (24V)

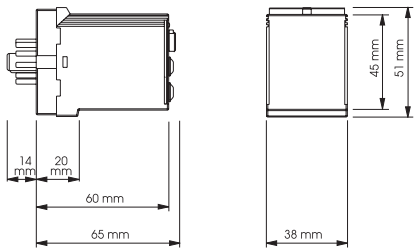


PDM11 (110-240V~)

PDI20F (24V)



Width 38mm



Functions



**Time Relays Series ENYA**

Multifunction Timer

- Multifunction
- 7 time ranges
- Zoom voltage 12 to 240V AC/DC or 24 to 240V AC/DC
- 1 CO contact (E1Z)
- 2 CO contacts (E3Z)
- Width 17,5mm and 35mm
- Installation design

Connections

types

E3ZM20 12-240V AC/DC	E1ZM10 12-240V AC/DC	E1ZM10 24-240V AC/DC	E1ZMW10 24-240V AC/DC	E1ZMQ10 24-240V AC/DC
-------------------------	-------------------------	-------------------------	--------------------------	--------------------------



Art.No. (PQ1)

Art.No. (PQ10)

EAN13-Code

Controls

Indicators (LEDs)

Functions

Inst. contact

2-time function

Time ranges

Adjustment range

Control input

Remote potentiometer

Supply

Output

Width

Certificates

Mechanical design

Dimensions

Terminal capacity

Ambient conditions

Accessories

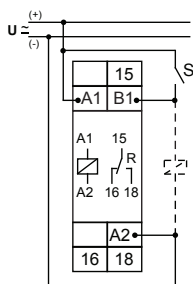
111100	110100	110200	-	110202
-	110100A	110200A	110206A	110202A
900866200019	900866200009	900866200012	900866200521	900866200014
Time • Function	Time • Function	Time • Function	Time • Function	Time • Function
U/t • R	U/t • R	U/t • R	U/t • R	U/t • R
E • R • Ws • Wa • Es • Wu • Bp	E • R • Ws • Wa • Es • Wu • Bp	E • R • Ws • Wa • Es • Wu • Bp	E • R • Ws • Wa • WsWa • Wu • Wt	E • R • Wu • Bp
-	-	-	-	-
-	-	-	-	-
1 • 10s 1 • 10min 1 • 10h • 100h	1 • 10s 1 • 10min 1 • 10h • 100h	1 • 10s 1 • 10min 1 • 10h • 100h	1 • 10s 1 • 10min 1 • 10h • 100h	1 • 10s 1 • 10min 1 • 10h • 100h
5% to 100%	5% to 100%	5% to 100%	5% to 100%	5% to 100%
terminals A1-B1 loadable	Terminals A1-B1 loadable	terminals A1-B1 selectable	terminals A1-B1 loadable	terminals A1-B1 loadable
-	-	-	-	-
12 to 240V AC/DC terminals A1-A2	12 to 240V AC/DC terminals A1-A2	24 to 240V AC/DC terminals A1-A2	24 to 240V AC/DC terminals A1-A2	24 to 240V AC/DC terminals A1-A2
2 CO contacts 250V, 8A AC	1 CO contact 250V, 8A AC	1 CO contact 250V, 8A AC	1 CO contact 250V, 8A AC	1 CO contact 250V, 8A AC
35mm	17,5mm	17,5mm	17,5mm	17,5mm
CE • cULus • GOST	CE • cULus • GOST	CE • cULus • GOST	CE • cULus • GOST	CE • cULus • GOST
Self-extinguishing plastic housing, IP rating IP40 • Mounted on DIN-Rail TS 35 in accordance with EN 60715 • Mounting position any • Shockproof terminal connection according to VBG 4 (PZ1 required), IP rating IP20 • Tightening torque max. 1Nm				
1 x 0,5 to 2,5mm <sup>2</sup> with/without multicore cable end • 1 x 4mm <sup>2</sup> without multicore cable end • 2 x 0,5 to 1,5mm <sup>2</sup> with/without multicore cable end • 2 x 2,5mm <sup>2</sup> flexible without multicore cable end				
Ambient temperature: -25 to +55°C (in accordance with IEC 60068-1) • Storage temperature: -25 to +70°C • Transport temperature: -25 to +70°C • relative humidity: 15% to 85% (in accordance with IEC 60721-3-3 class 3K3) • Pollution degree: 2 (in accordance with IEC 60664-1)				
-				



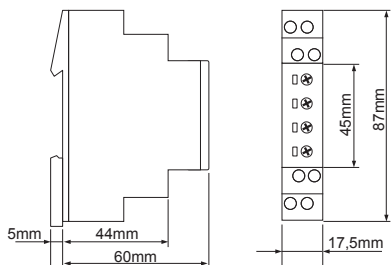


E	ON delay
R	OFF delay with control input
Ws	Single shot leading edge with control input
Wa	Single shot trailing edge with control input
Es	ON delay with control input
Wu	Single shot leading edge voltage controlled
Bp	Flasher pause first
WsWa	Single shot leading edge and single shot trailing edge with control input
Wt	Pulse sequence maintaining

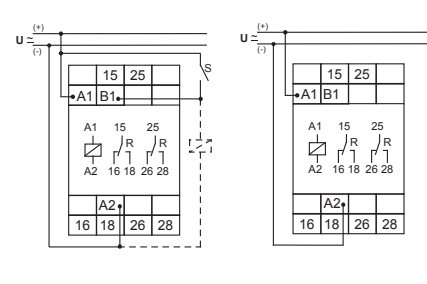
E1ZM



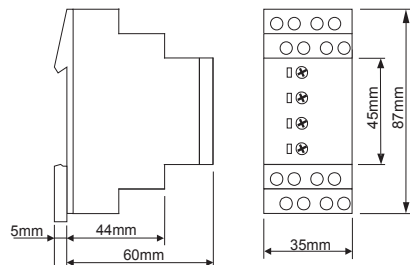
Width 17,5mm



E3ZM20



Width 35mm



Functions



Time Relays Serie ENYA

Singlefunction

- Singlefunction
- 7 time ranges
- Zoom voltage 24 to 240V AC/DC
- 1 CO contact
- Width 17,5mm
- Installation design



Connections

types

E1Z1E10 24-240V AC/DC

E1Z1R10 24-240V AC/DC

E1Z1ER10 24-240V AC/DC

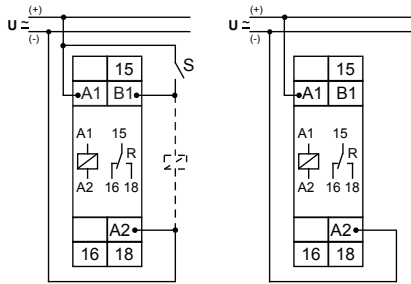


Art.No. (PQ1)	-	-	-
Art.No. (PQ10)	110204A	110205A	110208A
EAN13-Code	9008662000162	9008662006065	9008662006270
Controls	Time	Time	Time
Indicators (LEDs)	U/t • R	U/t • R	U/t • R
Functions	E	R	ER
Inst. contact	-	-	-
2-time function	-	-	ja
Time ranges	1 • 10s 1 • 10min 1 • 10 • 100h	1 • 10s 1 • 10min 1 • 10 • 100h	1 • 10s 1 • 10min 1 • 10 • 100h
Adjustment range	5% to 100%	5% to 100%	5% to 100%
Control input	-	terminals A1-B1 loadable	terminals A1-B1 loadable
Remote potentiometer	-	-	-
Supply	24 to 240V AC/DC terminals A1-A2	24 to 240V AC/DC terminals A1-A2	24 to 240V AC/DC terminals A1-A2
Output	1 CO contact 250V, 8A AC	1 CO contact 250V, 8A AC	1 CO contact 250V, 8A AC
Width	17,5mm	17,5mm	17,5mm
Certificates	CE • cULus • GOST	CE • cULus • GOST	CE • cULus • GOST
Mechanical design	Self-extinguishing plastic housing, IP rating IP40 • Mounted on DIN-Rail TS 35 in accordance with EN 60715 • Mounting position any • Shockproof terminal connection according to VBG 4 (PZ1 required), IP rating IP20 • Tightening torque max. 1Nm		
Terminal capacity	1 x 0,5 to 2,5mm <sup>2</sup> with/without multicore cable end • 1 x 4mm <sup>2</sup> without multicore cable end • 2 x 0,5 to 1,5mm <sup>2</sup> with/without multicore cable end • 2 x 2,5mm <sup>2</sup> flexible without multicore cable end		
Ambient conditions	Ambient temperature: -25 to +55°C (in accordance with IEC 60068-1) • Storage temperature: -25 to +70°C • Transport temperature: -25 to +70°C • relative humidity: 15% to 85% (in accordance with IEC 60721-3-3 class 3K3) • Pollution degree: 2 (in accordance with IEC 60664-1)		
Accessories	-		

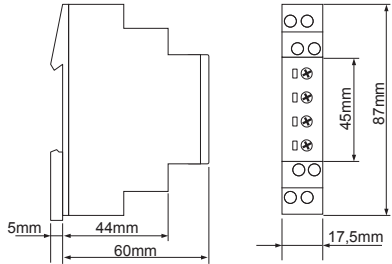
Dimensions

E ON delay  
 R OFF delay with control input  
 ER On delay and off delay with control input

E1Z



Width 17,5mm



Functions



## Time Relays Series ENYA

2-Time Multifunction Timer

- Asymmetric flasher (E1Z)
- 2-time multifunction (E3Z)
- 7 time ranges
- Zoom voltage 12 to 240 V AC/DC
- 1 CO contact (E1Z); 2 CO contacts (E3Z)
- Width 17,5mm; 35mm
- Installation design



Connections

types

E1Z110 12-240V AC/DC

E3Z120 12-240V AC/DC



Art.No. (PQ1)	110101	111101
Art.No. (PQ10)	-	-
EAN13-Code	900866200011	900866200020
Controls	Time 1 • Time 2	Time 1 • Time 2 • Function
Indicators (LEDs)	U/t • R	U/t • R
Functions	Ip • li (wire link A1-B1)	Ip • li • ER • EWu • EWs • WsWa • Wt
Inst. contact	-	-
2-time function	yes	yes
Time ranges	1 • 10s 1 • 10min 1 • 10h • 100h	1 • 10s 1 • 10min 1 • 10h • 100h
Adjustment range	5% to 100%	5% to 100%
Control input	-	terminals A1-B1 loadable
Remote potentiometer	-	-
Supply	12 to 240V AC/DC terminals A1-A2	12 to 240V AC/DC terminals A1-A2
Output	1 CO contact 250V, 8A AC	2 CO contacts 250V, 8A AC
Width	17,5mm	35mm
Certificates	CE • cULus • GOST	CE • cULus • GOST
Mechanical design	Self-extinguishing plastic housing, IP rating IP40 • Mounted on DIN-Rail TS 35 in accordance with EN 60715 • Mounting position any • Shockproof terminal connection according to VBG 4 (PZ1 required), IP rating IP20 • Tightening torque max. 1Nm	
Terminal capacity	1 x 0,5 to 2,5mm <sup>2</sup> with/without multicore cable end • 1 x 4mm <sup>2</sup> without multicore cable end • 2 x 0,5 to 1,5mm <sup>2</sup> with/without multicore cable end • 2 x 2,5mm <sup>2</sup> flexible without multicore cable end	
Ambient conditions	Ambient temperature: -25 to +55°C (in accordance with IEC 60068-1) • Storage temperature: -25 to +70°C • Transport temperature: -25 to +70°C • relative humidity: 15% to 85% (in accordance with IEC 60721-3-3 class 3K3) • Pollution degree: 2 (in accordance with IEC 60664-1)	
Accessories	-	

Dimensions

Indicators (LEDs)

Functions

Inst. contact

2-time function

Time ranges

Adjustment range

Control input

Remote potentiometer

Supply

Output

Width

Certificates

Mechanical design

Terminal capacity

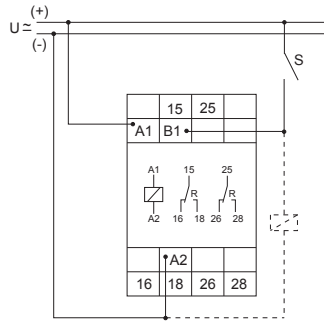
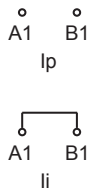
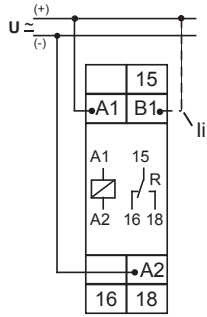
Ambient conditions

Accessories

Ip	Asymmetric flasher pause first
li	Asymmetric flasher pulse first
ER	ON delay and OFF delay with control contact
EWu	ON delay single shot leading edge voltage controlled
EWs	ON delay single shot leading edge with control contact
WsWa	Single shot leading and single shot trailing edge with control contact
Wt	Pulse sequence monitoring

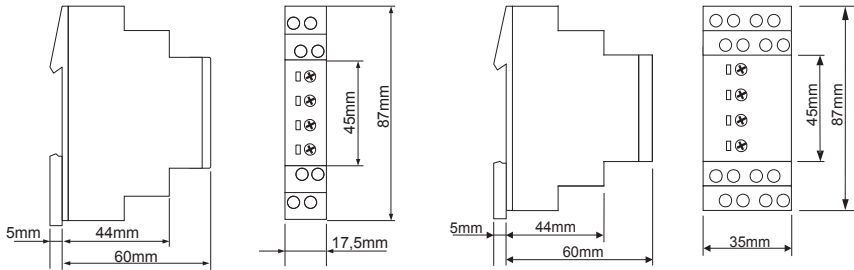
E1ZI10

E3ZI20



Width 17,5mm

Width 35mm



Functions



Time Relays Series ENYA

Star-Delta Timer

- Star-Delta start-up
- 4 time ranges (star-time)
- Selectable transit time
- Zoom voltage 12 to 240V AC/DC
- 2 CO contacts
- Width 35mm
- Installation design

Connections

types

E3ZS20 12-240V AC/DC



Art.No. (PQ1)

111300

Art.No. (PQ10)

-

EAN13-Code

900866200021

Controls

Time • Time Y → Δ

Indicators (LEDs)

U/t • R

Functions

S

Inst. contact

-

2-time function

-

Time ranges

Time Y: 10s • 30s • 1min • 3min  
Time Y → Δ: 40ms • 60ms • 80ms • 100ms

Adjustment range

5% to 100% (Time Y)

Control input

-

Supply

12 to 240V AC/DC  
terminals A1-A2

Output

2 CO contacts  
250V, 8AAC

Width

35mm

Certificates

CE • cULus • GOST

Mechanical design

Self-extinguishing plastic housing, IP rating IP40 • Mounted on DIN-Rail TS 35 in accordance with EN 60715 • Mounting position any • Shockproof terminal connection according to VBG 4 (PZ1 required), IP rating IP20 • Tightening torque max. 1Nm

Terminal capacity

1 x 0,5 to 2,5mm<sup>2</sup> with/without multicore cable end • 1 x 4mm<sup>2</sup> without multicore cable end • 2 x 0,5 to 1,5mm<sup>2</sup> with/without multicore cable end • 2 x 2,5mm<sup>2</sup> flexible without multicore cable end

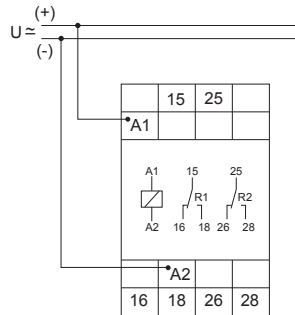
Ambient conditions

Ambient temperature: -25 to +55°C (in accordance with IEC 60068-1) • Storage temperature: -25 to +70°C • Transport temperature: -25 to +70°C • relative humidity: 15% to 85% (in accordance with IEC 60721-3-3 class 3K3) • Pollution degree: 2 (in accordance with IEC 60664-1)

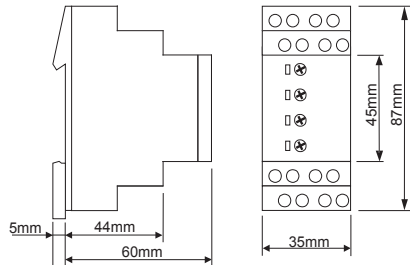
Accessories



E3ZS



Width 35mm



Functions



## Time Relays Series ENYA

Light Controller



- Electronic staircase lighting timer with switch-off warning
- Retrigger, time extension and energy saving function programmable
- Impulse switch mode selectable
- Low switching noise
- High switching capacity, 80A peak inrush current
- Automatic 3/4 - wire detection
- Push-button glow lamp load up to 100mA
- Width 17,5mm
- Installation design

Connections

types

E1ZTPNC 230V AC

E1ZTP 230V AC

E1ZWI



Art.No. (PQ1)

110300

110301

110310

Art.No. (PQ10)

-

-

-

EAN13-Code

900866200017

900866200018

900866200506

Controls

Time • Function

Function/Time

Time

Indicators (LEDs)

U • R

U • R

U • R

Functions

TW • T • 1 • 0 • P • PN

TW • 1 • 0 • P

Wi

Inst. contact

-

-

-

2-time function

-

-

-

Time ranges

12min

12min

6min to 60min

Adjustment range

0,5 to 12min

0,5 to 12min

6min to 60min

Control input

terminal B1 (for pushbutton):  
pushbutton B1-N (3-wire circuit)  
pushbutton B1-L (4-wire circuit)  
glow lamp load max. 100mA parallel to the  
pushbuttons

terminal B1 (for pushbutton):  
pushbutton B1-N (3-wire circuit)  
pushbutton B1-L (4-wire circuit)  
glow lamp load max. 100mA parallel to the  
pushbuttons

terminal B1 (for pushbutton):  
pushbutton B1-N (3-wire circuit)  
pushbutton B1-L (4-wire circuit)  
glow lamp load max. 100mA parallel to the  
pushbuttons

terminals C1-C2  
(additional Control input):  
voltage range 8...230V AC/DC  
galvanic separated

Remote potentiometer

-

-

-

Supply

230V AC  
terminals L-N230V AC  
terminals L-N230V AC  
terminals L-N

Output

1 NO contact (terminals L-18)  
250V, 16A AC1 NO contact (terminals L-18)  
250V, 16A AC1 NO contact (terminals L-18)  
250V, 16A AC

Width

17,5mm

17,5mm

17,5mm

Certificates

CE • cULus • GOST

CE • cULus • GOST

CE • cULus • GOST

Mechanical design

Self-extinguishing plastic housing, IP rating IP40 • Mounted on DIN-Rail TS 35 in accordance with EN 60715 • Mounting position any • Shockproof terminal connection according to VBG 4 (PZ1 required), IP rating IP20 • Tightening torque max. 1Nm

Terminal capacity

1 x 0,5 to 2,5mm<sup>2</sup> with/without multicore cable end • 1 x 4mm<sup>2</sup> without multicore cable end • 2 x 0,5 to 1,5mm<sup>2</sup> with/without multicore cable end • 2 x 2,5mm<sup>2</sup> flexible without multicore cable end

Ambient conditions

Ambient temperature: -25 to +55°C (in accordance with IEC 60668-1) • Storage temperature: -25 to +70°C • Transport temperature: -25 to +70°C • relative humidity: 15% to 85% (in accordance with IEC 60721-3-3 class 3K3) • Pollution degree: 2 (in accordance with IEC 60664-1)

Accessories

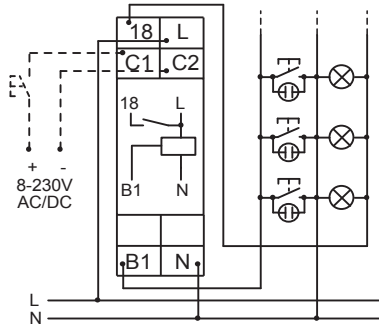
-

Electronic staircase lighting timer with switch-off warning. The control input allows the connection of pushbuttons with a total glow lamp load up to 100mA and enables the application in 3- or 4-wire circuits. The unit can be retrigged via the connected pushbuttons. A long keypress will switch off the light (energy saving function). A fast sequence of pushes (pumping) will extend the period to a multiple of the selected value. Depending upon distinct type, the following operating methods can be selected by the controls on the unit:

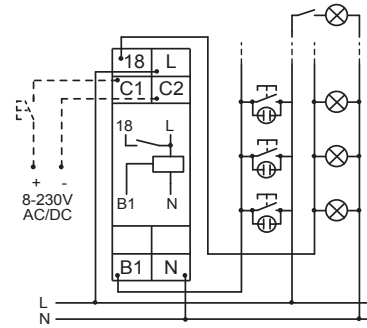
- TW Automatic timer with switch-off warning
- T Automatic timer without switch-off warning
- 1 Steady light (ON)
- 0 Switch-off
- P Impulse switch mode without time function (only types with option P)
- PN Impulse switch mode power fail latch (only types with option PN)
- Wi Impulse switch mode with off delay

For additional functions of control input (E1ZTPNC) refer to datasheet.

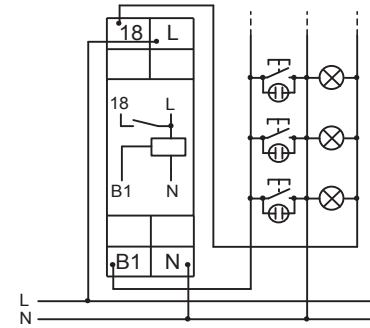
E1ZT (3-wire circuit)



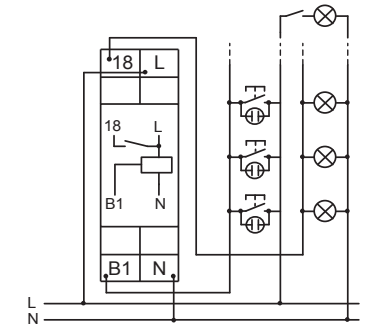
E1ZT (4-wire circuit with attic illumination)



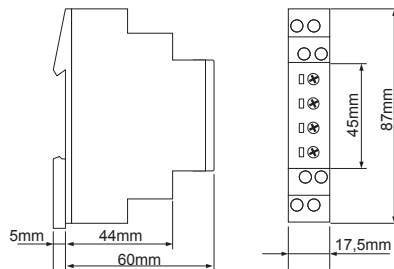
E1ZWI 3-wire-circuit



E1ZWI 4-wire-circuit with attic illumination



Width 17,5mm



Functions



Time Relays Series ENYA

Emergency light tester

- Timer for automatic test of emergency light batteries
- Intergrated test button
- 1 CO contact
- Width 17,5mm
- Installation design

Connections

types

E1ZNT 230V AC



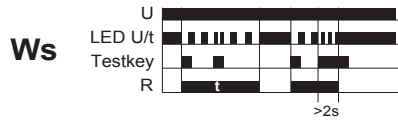
Art.No. (PQ1)	110500
Art.No. (PQ10)	-
EAN13-Code	900866200586
Controls	Time • Test
Indicators (LEDs)	U/t • R
Functions	Ws
Time ranges	10min • 30min • 60min • 90min • 2h • 3h switchable
Control input	-
Supply	230V AC terminals L-N
Output	1 CO contact 250V, NC 16A AC; NO 5A AC
Width	17,5mm
Certificates	CE • GOST
Mechanical design	Self-extinguishing plastic housing, IP rating IP40 • Mounted on DIN-Rail TS 35 in accordance with EN 60715 • Mounting position any • Shockproof terminal connection according to VBG 4 (PZ1 required), IP rating IP20 • Tightening torque max. 1Nm
Terminal capacity	1 x 0,5 to 2,5mm <sup>2</sup> with/without multicore cable end • 1 x 4mm <sup>2</sup> without multicore cable end • 2 x 0,5 to 1,5mm <sup>2</sup> with/without multicore cable end • 2 x 2,5mm <sup>2</sup> flexible without multicore cable end
Ambient conditions	Ambient temperature: -25 to +55°C (in accordance with IEC 60068-1) • Storage temperature: -25 to +70°C • Transport temperature: -25 to +70°C • relative humidity: 15% to 85% (in accordance with IEC 60721-3-3 class 3K3) • Pollution degree: 2 (in accordance with IEC 60664-1)
Accessories	-

Connections

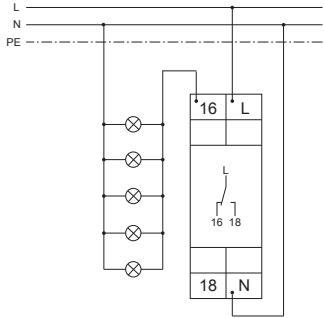
Dimensions

Emergency light tester

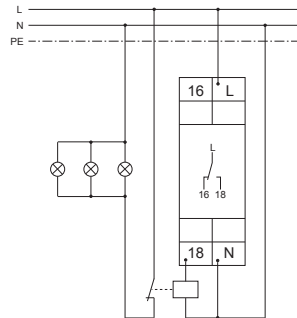
Ws Single shot leading edge with control contact



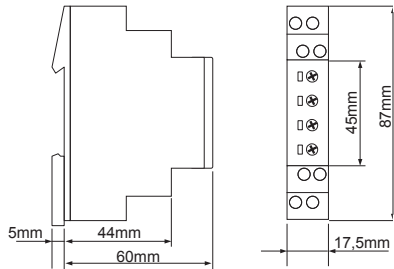
Direct connection of emergency lights (I < 16A)



Switching emergency lights with contactor (I > 16A)



Width 17,5mm



Functions



## Time Relays Series FRONT

Multifunction Timer



- 8 Functions
- Digital time setting from 0,001s to 999,9h
- Supply voltage 24V AC/DC or 100-240V AC
- 1 CO contact
- Width 48mm
- Front panel mounting (aperture 45mm x 45mm)

Connections

types

FSM10 24V AC/DC

FSM10 100-240V AC



Art.No. (PQ1)

180600

180601

Art.No. (PQ10)

-

-

EAN13-Code

9008662

9008662

Controls

buttons for programming

buttons for programming

Indicators (LEDs)

Display

Display

Functions

functions refer to datasheet

functions refer to datasheet

Inst. contact

-

-

2-time function

-

-

Time ranges

digital adjustment

digital adjustment

Adjustment range

0,001 to 999,9h

0,001 to 999,9h

Control input

signal input pin 3-6  
stop input pin 3-5  
reset input pin 3-7  
keylock input pin 3-4

signal input pin 3-6  
stop input pin 3-5  
reset input pin 3-7  
keylock input pin 3-4

Remote potentiometer

-

-

Supply

24V AC/DC  
pins 2-10

100 to 240V AC  
pins 2-10

Output

1 CO contact  
250V, 5A AC

1 CO contact  
250V, 5A AC

Width

48mm

48mm

Certificates

CE • UR • cUR • GOST

CE • UR • cUR • GOST

Mechanical design

Self-extinguishing plastic housing, IP rating IP66 • Mounted in front panel aperture 45mm x 45mm by means of retaining clip (included) in accordance with DIN 43700 • Mounting position any

Ambient conditions

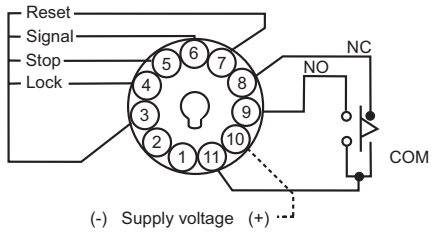
Ambient temperature: -10 to +55°C • Storage temperature: -10 to +70°C • Transport temperature: -10 to +70°C • relative humidity: 15% to 85% (in accordance with IEC 60721-3-3 class 3K3) • Pollution degree: 2, if built in 3 (in accordance with IEC 60664-1)

Accessories

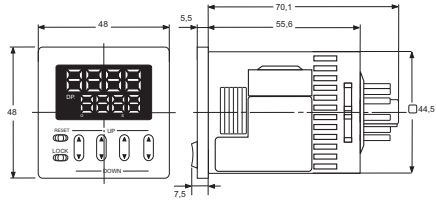
AZ511, R11X

- A ON delay
- A2 ON delay with power failure detection
- B ON delay with control contact
- C OFF delay with control contact
- D Single shot leading edge with control contact
- E ON delay pulse operated
- F Flasher pause first
- G ON delay with control contact, adding, power failure

FSM10



Width 48mm



Functions



## Time Relays Series COMBI

Multifunction Timing Module



- Timing modul for industrial relays
- 8 Functions
- 8 time ranges
- Supply voltage through zoom voltage 24-240V AC/DC (must match to used relay)
- Solid state output to control the connected industrial relay
- Width 35mm
- Combination only with industrial relays Series RT and socket types ES9 or PF-113BE/M

Connections

types

COM3TP 24-240V AC/DC



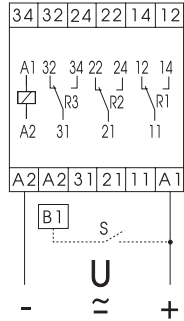
Dimensions

- Art.No. (PQ1)
- Art.No. (PQ10)
- EAN13-Code
- Controls
- Indicators (LEDs)
- Functions
- Inst. contact
- 2-time function
- Time ranges
- Adjustment range
- Control input
- Remote potentiometer
- Supply
- Output
- Width
- Certificates
- Mechanical design
- Ambient conditions
- Accessories

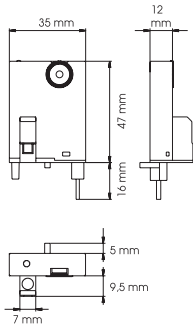
Art.No. (PQ1)	237010
Art.No. (PQ10)	-
EAN13-Code	900866200202
Controls	Time • Function
Indicators (LEDs)	U/t
Functions	E • R • Ws • Wa • Wu • Es • Bp • Bi
Inst. contact	-
2-time function	-
Time ranges	1 • 10s 1 • 10min 1 • 10h 1 • 10d
Adjustment range	5% to 100%
Control input	terminals A1-B1 loadable
Remote potentiometer	-
Supply	24 to 240V AC/DC terminals A1-A2
Output	2 or 3 CO contacts, Industrial relays
Width	35mm
Certificates	CE • GOST
Mechanical design	Self-extinguishing plastic housing, IP rating IP40 • Connection and mounting by 11-pin socket in accordance with IEC 60067-1-18a (types ES9 or PF-113BE/M) • Mounting position any
Ambient conditions	Ambient temperature: -25 to +55°C (in accordance with IEC 60068-1) • Storage temperature: -25 to +70°C • Transport temperature: -25 to +70°C • relative humidity: 15% to 85% (in accordance with IEC 60721-3-3 class 3K3) • Pollution degree: 2, if built in 3 (in accordance with IEC 60664-1)
Accessories	Socket ES9 and PF-113BE/M; industrial relays RT

E	ON delay
R	OFF delay with control contact
Ws	Single shot leading edge with control contact
Wa	Single shot trailing edge with control contact
Wu	Single shot leading edge voltage controlled
Es	ON delay with control contact
Bp	Flasher pause first
Bi	Flasher pulse first

COM3T + RTx.x.xxx + PF-113BE/M



Width 35mm



Functions



## Time Relays Series RONDO

Timer with solid state output



- ON delay
- 1 time range
- Transistor output
- Diameter 28mm
- Front panel mounting

Connections

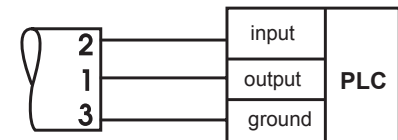
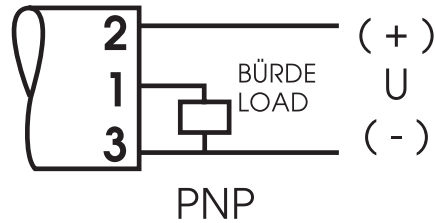
types	SRE2-PNP 1SEC 24V DC	SRE2-PNP 3SEC 24V DC	SRE2-PNP 10SEC 24V DC	SRE2-PNP 1MIN 24V DC	SRE2-PNP 10MIN 24V DC	SRE2-PNP 60MIN 24V DC
-------	-------------------------	-------------------------	--------------------------	-------------------------	--------------------------	--------------------------



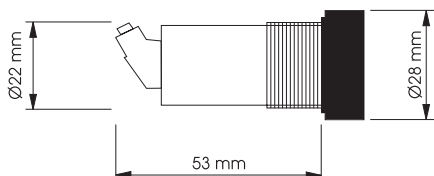
	237060	237066	237061	237062	237063	237064
Art.No. (PQ1)	237060	237066	237061	237062	237063	237064
Art.No. (PQ10)	-	-	-	-	-	-
EAN13-Code	900866200208	900866200213	900866200209	900866200210	900866200211	900866200212
Controls	Time	Time	Time	Time	Time	Time
Indicators (LEDs)	U • R	U • R	U • R	U • R	U • R	U • R
Functions	E	E	E	E	E	E
Inst. contact	-	-	-	-	-	-
2-time function	-	-	-	-	-	-
Time ranges	1s	3s	10s	1min	10min	60min
Adjustment range	10% to 100%	10% to 100%	10% to 100%	10% to 100%	10% to 100%	10% to 100%
Control input	-	-	-	-	-	-
Remote potentiometer	-	-	-	-	-	-
Supply	24V DC terminals 2-3					
Output	1 transistor 6W (200mA / 30V) integrated overcurrent protection					
Width	diameter 28mm					
Certificates	CE • GOST					
Mechanical design	Self-extinguishing plastic housing, IP rating IP64 (frontside) • Mounted in front panel aperture clear diameter 22.5mm by means of retaining clip (included) in accordance with DIN 43700 • Mounting position any • Shockproof terminal connection according to VBG 4, Schutzart IP10 • Tightening torque max 1Nm					
Terminal capacity	1 x 0,5 to 1mm <sup>2</sup> with/without multicore cable end					
Ambient conditions	Ambient temperature: -25 to 55°C (in accordance with IEC 60068-1) • Storage temperature: -25 to +65°C • Transport temperature: -25 to +65°C • relative humidity: 15% to 85% (in accordance with IEC 60721-3-3 class 3K3) • Pollution degree: 3 (in accordance with IEC 60664-1)					
Accessories	-					

Dimensions





diameter 28mm



## Functions



## Time Relays Series RONDO

Timer with solid state output

- Single shot leading edge voltage controlled
- 1 Time range
- Transistor output
- Front panel mounting
- Diameter 28mm



## Connections

## types

SRW2-PNP 1SEC  
24V DCSRW2-PNP 10SEC  
24V DCSRW2-PNP 1MIN  
24V DCSRW2-PNP 10MIN  
24V DCSRW2-PNP 60MIN  
24V DC

Art.No. (PQ1)

Art.No. (PQ10)

EAN13-Code

Controls

Indicators (LEDs)

Functions

Inst. contact

2-time function

Time ranges

Adjustment range

Control input

Remote potentiometer

Supply

Output

Width

Certificates

Mechanical design

## Dimensions

Terminal capacity

Ambient conditions

Accessories

237080

237081

237082

237083

237084

-

-

-

-

-

900866200217

900866200218

900866200219

900866200220

900866200221

Time

Time

Time

Time

Time

U • R

U • R

U • R

U • R

U • R

Wu

Wu

Wu

Wu

Wu

-

-

-

-

-

-

-

-

-

-

1s

10s

1min

10min

60min

10% to 100%

10% to 100%

10% to 100%

10% to 100%

10% to 100%

-

-

-

-

-

-

-

-

-

-

Supply

Output

Width

Certificates

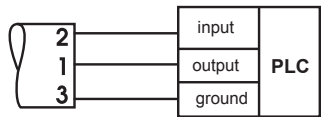
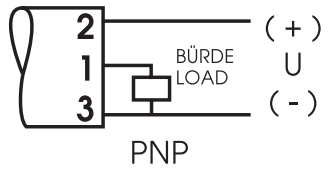
Mechanical design

Self-extinguishing plastic housing, IP rating IP64 (frontside) • Mounted in front panel aperture clear diameter 22.5mm by means of retaining clip (included) in accordance with DIN 43700 • Mounting position any • Shockproof terminal connection according to VBG 4, Schutzart IP10 • Tightening torque max 1Nm

1 x 0,5 to 1mm<sup>2</sup> with/without multicore cable end

Ambient temperature: -25 to 55°C (in accordance with IEC 60068-1) • Storage temperature: -25 to +65°C • Transport temperature: -25 to +65°C • relative humidity: 15% to 85% (in accordance with IEC 60721-3-3 class 3K3) • Pollution degree: 3 (in accordance with IEC 60664-1)

-



diameter 28mm

