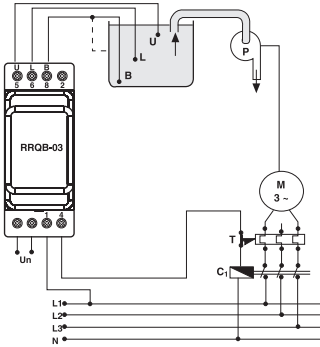


General

Liquid level controllers are commonly used for the level and discharge control of conductive liquids in tanks located in industrial plants and domestic applications.

Connection Diagram Type PK-28



Operation Principles

See above connection diagram for RRQB-03

The output contact switches ON when the liquid reaches the upper level electrode (U). The output contact switches OFF when the lower level electrode (L) is no longer in contact with the liquid (in order to prevent the system to work with empty containers). B (Terminal 8) has to be connected to the container in order to determine the bottom level accurately. If the container is made of a non conductive material, an additional electrode connected to B (Terminal 8) must be used. R(k Ω) (i.e., impedance between electrodes) can be adjusted to 5-50 k Ω for different liquids by means of the knob on the front panel. The Out LED on the front panel lights when the relay is ON position.

NOTE: This controller can not be used with flammable liquids.

Technical Data

Operating Range (ΔU)	: Please look at labels on the device. : 190-260 V AC	<p style="text-align: center;">Liquid Level Electrode</p>
Rated Frequency (f)	: 50/60 Hz	
Output Contacts	: 1 C/O, 8A, 2000 VA, Cos ϕ =1	
Sensitivity (R(k Ω))	: Adjustable 5 - 50 k Ω	
Warning Light	: Out LED on the front panel	
Ambient Temperature	: -5 °C to + 50 °C	
Installation	: Surface mounting or on the mounting rails.	
Dimensions	: Type PK 28	
Protection Class	: IP 20	
Weight	: 0.2 kg	
Terminal Cable Crosssections	:(for PK-28) 4mm ² (12AWG) solid conductor 6mm ² (10AWG) stranded rigid conductor 2x2.5mm ² (14AWG) solid conductor	

Precautions For Installation And Safe Use

Failure to follow those instructions will result in death or serious injury.

- Disconnect all power before working on equipment.
- When the device is connected to the network, do not remove the front panel.
- Do not try to clean the device with solvent or the like. Only clean the device with a dried cloth.
- Verify correct terminal connections when wiring.
- Electrical equipment should be serviced only by your competent seller.
- Mount device to the panel.



No responsibility is assured by the manufacturer or any of its subsidiaries for any consequences arising out of the use of this material.

Dimensions

